

Appendix G Typical Solar Array

Designed: JNH
 Checked: ADC
 Drawn: JNH

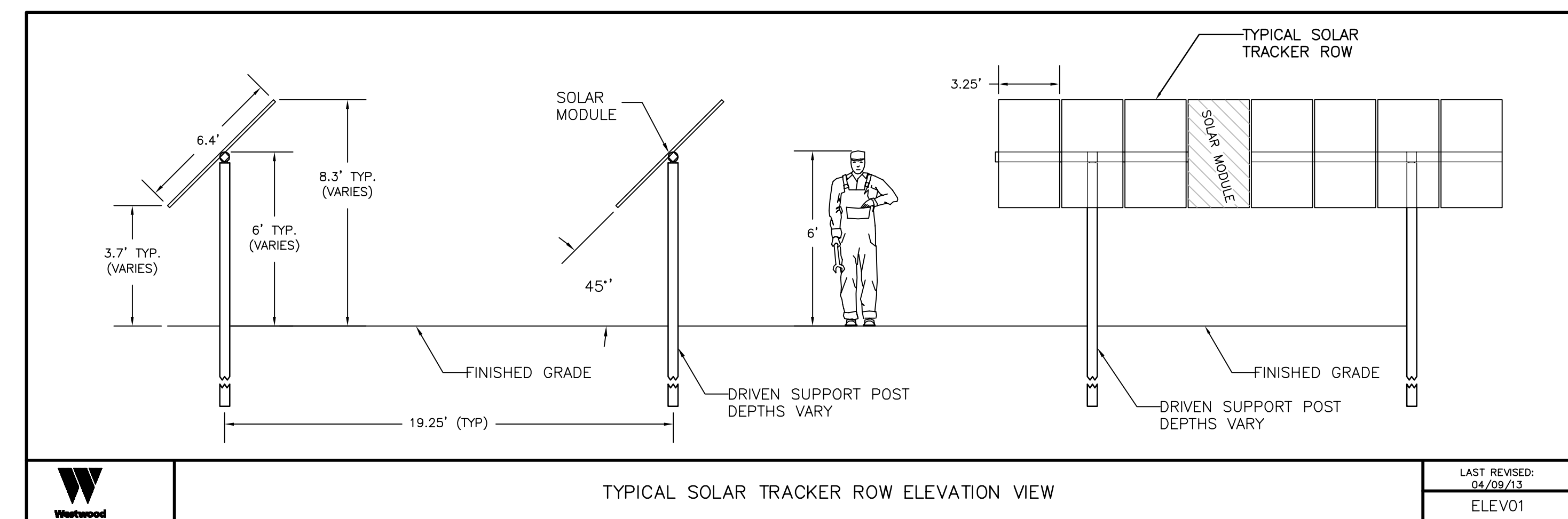
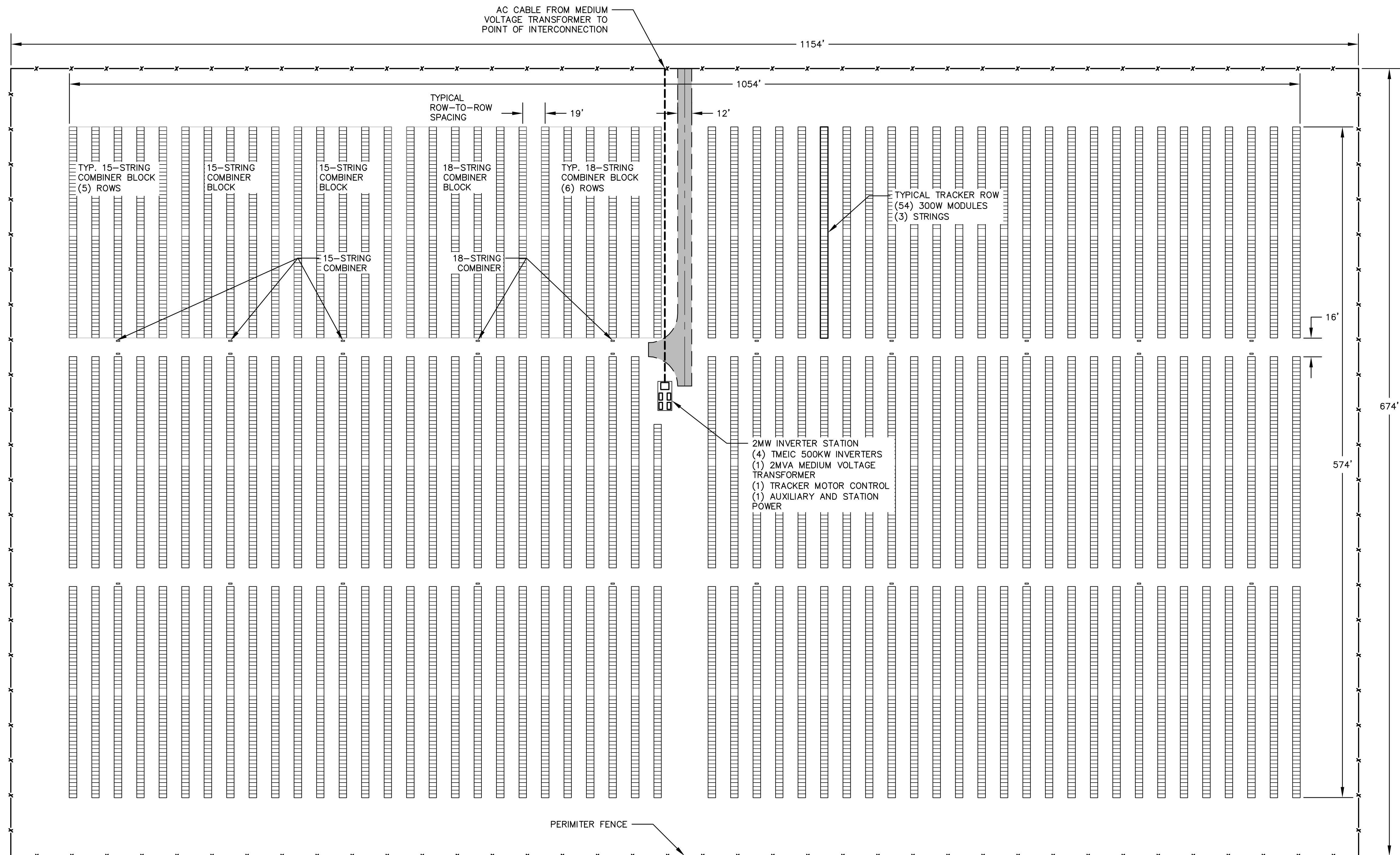
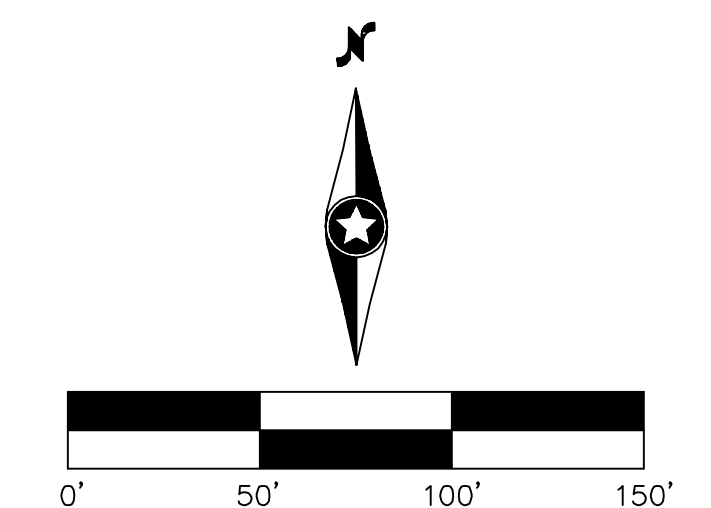
Record Drawing by/date:

Revisions:
 # DATE DESCRIPTION

Prepared for:



7650 Edinborough Way, Ste. 725
 Edina, MN 55435



GENERAL NOTES

1. PV FACILITY IS A 2MWac/2.619MWdc SINGLE-AXIS TRACKER.
 - 1.1. FACILITY SHALL BE COMPOSED OF:
 - 1.1.1. FOUR (4) 500KW ARRAYS, ONE INVERTER PER ARRAY.
 - 1.1.2. SIX (6) TRACKER BLOCKS.
2. ALL PV EQUIPMENT ON DC SIDE SHALL BE RATED FOR 1000V OPERATION.
3. MODULE: 300W CANADIAN SOLAR CS6X-300P 72-CELL MODULE
 - 3.1. SERIES STRING: 18 MODULES
 - 3.2. 485 STRINGS (8,730 MODULES) IN FACILITY
 - 3.3. 81 STRINGS PER TYPICAL TRACKER BLOCK
4. INVERTER: TMEIC SOLAR WARE 500
 - 4.1. Vmp FROM ARRAY: 669VDC, 1000VDC MAX.
 - 4.2. OUTPUT VOLTAGE: 300VAC
 - 4.3. FOUR (4) INVERTERS IN PV FACILITY. FACILITY SHALL USE FOUR (4) INVERTERS ON SINGLE SKID.
5. COMBINER: 1000V, INTEGRAL OUTPUT DISCONNECT, FUSED DC INPUTS
6. TRACKER: PV FACILITY SHALL USE SINGLE-AXIS HORIZONTAL TRACKER WITH BACKTRACKING.
 - 6.1. 19.25' ROW-TO-ROW SPACING.
7. PV SYSTEM SHALL BE INSTALLED PER NEC AND ALL APPLICABLE LOCAL, STATE AND NATIONAL CODES OR REGULATIONS.
8. PRELIMINARY DRAWINGS. NOT TO BE USED FOR CONSTRUCTION.

2MW Midwest Solar Farm

**EXHIBIT
 Not for Construction**