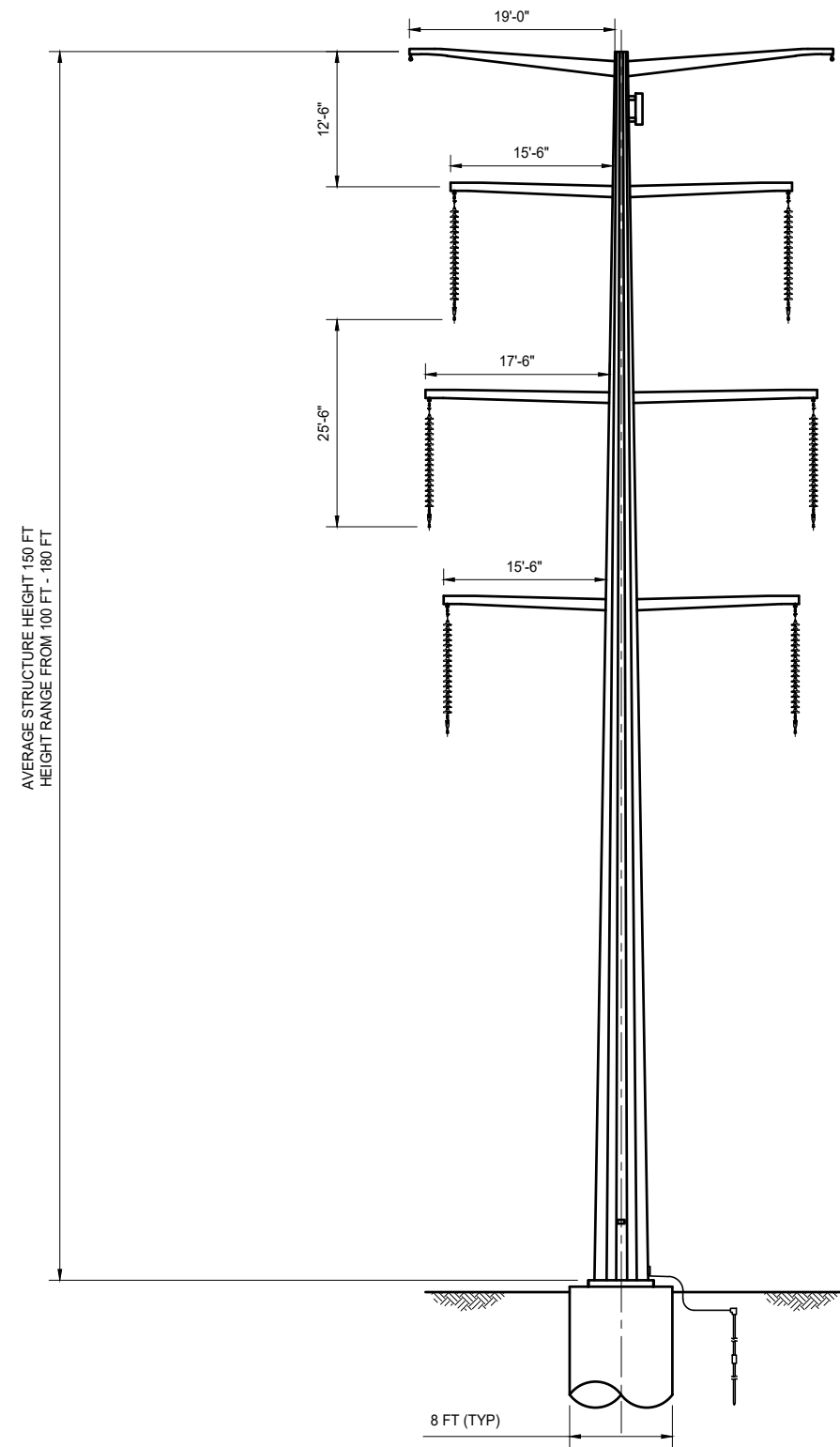


Appendix E
Technical Drawings of Proposed Structures

This Page Intentionally Blank



LOOKING AHEAD
TANGENT STRUCTURE
STANDARD SPAN

NOTES
1. DIMENSIONS AND CONFIGURATIONS PROVIDED ARE PRELIMINARY AND ARE SUBJECT TO CHANGE

BSSA STRUCTURES.dwg

THIS DRAWING WAS PREPARED BY POWER ENGINEERS, INC. FOR A SPECIFIC PROJECT. TAKING INTO CONSIDERATION THE SPECIFIC AND UNIQUE REQUIREMENTS OF THE PROJECT. REUSE OF THIS DRAWING OR ANY INFORMATION CONTAINED IN THIS DRAWING FOR ANY PURPOSE IS PROHIBITED UNLESS WRITTEN PERMISSION FROM BOTH POWER AND POWER'S CLIENT IS GRANTED.



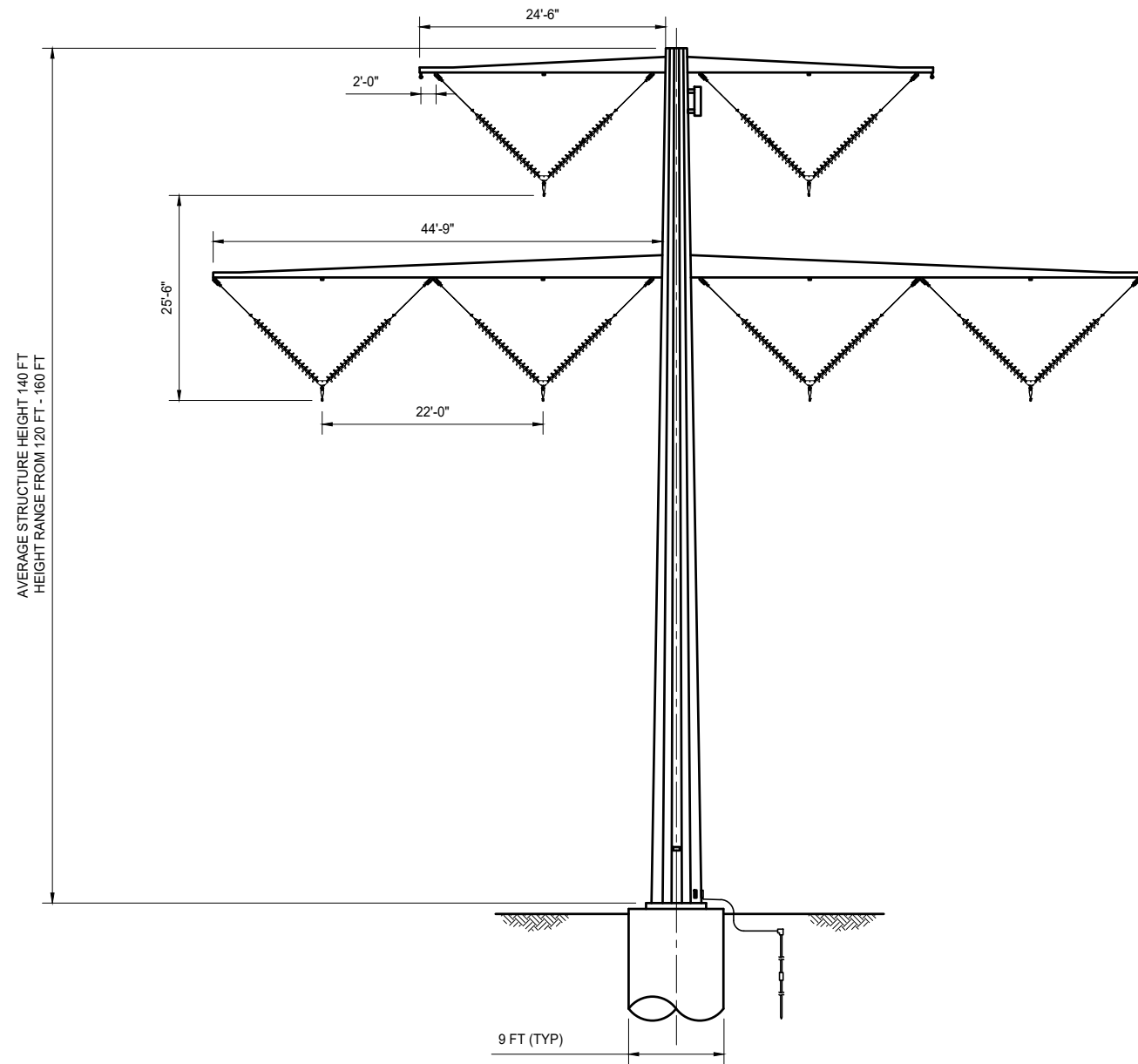
REV	REVISIONS	DATE	DRN	DSGN	CKD	APPD	REFERENCE DRAWINGS
A	ISSUED FOR PRELIMINARY	08/31/24	EC	ML	BB	JB	

DSGN	ML	08/31/24
DRN	EC	08/31/24
CKD	JB	08/31/24
SCALE: N.T.S.		
FOR 11x17 DWG ONLY		



BIG STONE SOUTH - ALEXANDRIA	
345kV TRANSMISSION LINE	
345 kV DOUBLE CIRCUIT STEEL MONO-POLE TANGENT STRUCTURE TYPE XXXX	

JOB NUMBER	REV
0242595	A
DRAWING NUMBER	01



LOOKING AHEAD
TANGENT STRUCTURE
CROSSING SPAN

NOTES
1. DIMENSIONS AND CONFIGURATIONS PROVIDED ARE PRELIMINARY AND ARE SUBJECT TO CHANGE

BSSA STRUCTURES.dwg

THIS DRAWING WAS PREPARED BY POWER ENGINEERS, INC. FOR A SPECIFIC PROJECT. TAKING INTO CONSIDERATION THE SPECIFIC AND UNIQUE REQUIREMENTS OF THE PROJECT, REUSE OF THIS DRAWING OR ANY INFORMATION CONTAINED IN THIS DRAWING FOR ANY PURPOSE IS PROHIBITED UNLESS WRITTEN PERMISSION FROM BOTH POWER AND POWER'S CLIENT IS GRANTED.



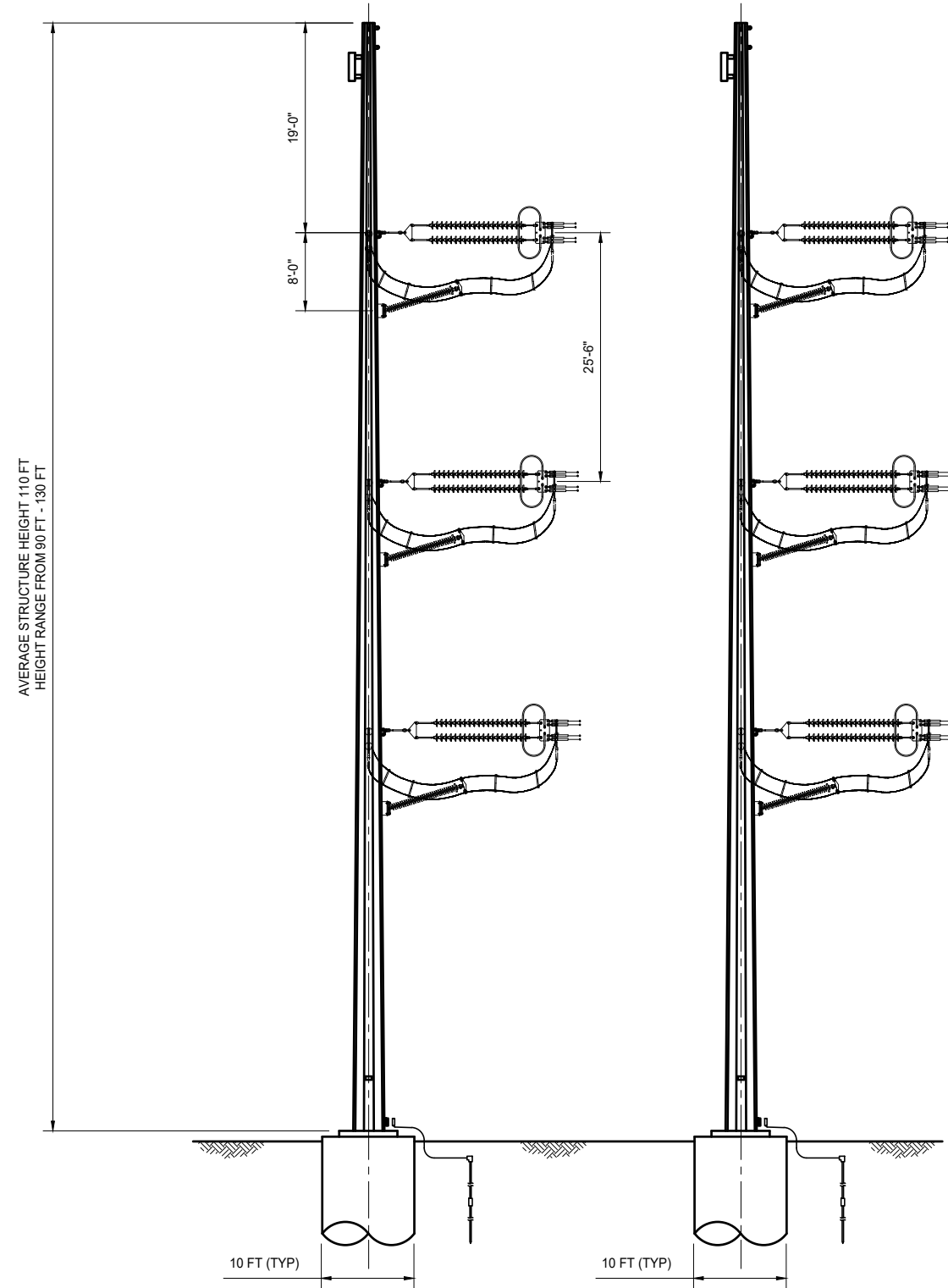
REV	ISSUED FOR PRELIMINARY	08/31/24	EC	ML	BB	JB	REFERENCE DRAWINGS

DSGN	ML	08/31/24
DRN	EC	08/31/24
CKD	JB	08/31/24
SCALE: N.T.S.		
FOR 11x17 DWG ONLY		



BIG STONE SOUTH - ALEXANDRIA
345kV TRANSMISSION LINE
345 kV DOUBLE CIRCUIT STEEL MONO-POLE TANGENT STRUCTURE TYPE XXXX

JOB NUMBER	REV
0242595	A
DRAWING NUMBER	
03	



LOOKING AHEAD
DEADEND STRUCTURE
2-POLE

NOTES
1. DIMENSIONS AND CONFIGURATIONS PROVIDED ARE PRELIMINARY AND ARE SUBJECT TO CHANGE

BSSA STRUCTURES.dwg

THIS DRAWING WAS PREPARED BY POWER ENGINEERS, INC. FOR A SPECIFIC PROJECT. TAKING INTO CONSIDERATION THE SPECIFIC AND UNIQUE REQUIREMENTS OF THE PROJECT, REUSE OF THIS DRAWING OR ANY INFORMATION CONTAINED IN THIS DRAWING FOR ANY PURPOSE IS PROHIBITED UNLESS WRITTEN PERMISSION FROM BOTH POWER AND POWER'S CLIENT IS GRANTED.



REV	ISSUED FOR PRELIMINARY	DATE	DRN	DSGN	CKD	APPD	REFERENCE DRAWINGS
A	ISSUED FOR PRELIMINARY	08/31/24	EC	ML	BB	JB	
	REVISIONS	DATE	DRN	DSGN	CKD	APPD	REFERENCE DRAWINGS

DSGN	ML	08/31/24
DRN	EC	08/31/24
CKD	JB	08/31/24
SCALE: N.T.S.		
FOR 11x17 DWG ONLY		



BIG STONE SOUTH - ALEXANDRIA	
345kV TRANSMISSION LINE	
345 kV DOUBLE CIRCUIT STEEL TWO-POLE DEADEND STRUCTURE TYPE XXXX	

JOB NUMBER	REV
0242595	A
DRAWING NUMBER	
07	