



November 9, 2018

Daniel P. Wolf, Executive Secretary  
Minnesota Public Utilities Commission  
121 7<sup>th</sup> Place East, Suite 350  
St. Paul, MN 55101-2147

***Subject: Dakota Electric Association® Compliance to August 13, 2018  
Order Establishing Updated Interconnection Process and  
Standard Interconnection Agreement  
Docket Nos. E-999/CI-01-1023 and E-999/CI-16-521***

Dear Mr. Wolf:

On August 13, 2018, the Minnesota Public Utilities Commission (Commission or MPUC) issued an *Order Establishing Updated Interconnection Process and Standard Interconnection Agreement* (Order) in the above-referenced dockets. The Order (at Page 23) indicates that “The Commission adopts the *Distributed Energy Resources Interconnection Process* (MN DIP) and *Distributed Energy Resource Interconnection Agreement* (MN DIA) in the form attached, which includes the revisions described below and edits to ensure consistency between the documents’ glossaries of terms.” The Order requires (at Page 31) that “Within 90 days, all rate-regulated utilities except Xcel shall file updated tariffs for Commission review and approval under Minn. Stat. § 216B.1611, subd. 3.”

The Commission’s Order also delegated the Executive Secretary the authority to develop, with the Distributed Generation Workgroup (DGWG) input, the following outstanding issues;

- a. A standardized pre-application request form;
- b. An updated version of flow charts based on Xcel’s initial edit;
- c. A certificate of completion;
- d. Fillable-PDF interconnection applications and agreements;

- e. The definition of DER capacity (MN DIP § 5.14);
- f. Certification of DER equipment (MN DIP, Attachment 5);
- g. Simplified-process deadline for customers to sign and return an interconnection agreement (Joint Movants' Proposed Additional Decision Option 6); and
- h. Proposed edits to the MN DIA in Xcel's New and Revised Decision Options 5(f)–(h).

Most of the outstanding issues, listed above, have been developed and have been included within this filing. The review and updating of the definition for DER capacity has not yet been completed. Since that definition, as written, includes the consumer's load, which is a variable quantity that can have significant changes over time, the use of this term as currently defined within the MN DIP is a technical and procedural problem for Dakota Electric. Within this filing Dakota Electric discusses the issues involved and what points within the DIP are affected by this definition. Before these filed documents are applied for new DER interconnection the issue with the definition will first need to be resolved.

Following is the Dakota Electric Association® (Dakota Electric® or Cooperative) Compliance Filing in response to the Commission's August 13 Order in this matter.

### **Dakota Electric Compliance**

Dakota Electric appreciates the significant effort which all the members of the DGWG have expended on this topic. We hope that this updated process will provide our members with more options and help expedite the integration of renewables with the Dakota Electric distribution system.

Dakota Electric has taken the documents created by the DGWG and provided by the Commission's Staff and made a few minor adjustments, such as changing "Area EPS" to "Dakota Electric" to improve the readability of the documents. Attached with these comments are the following documents

- A) Dakota Electric's Distribution Interconnection Process (MN DIP), including the revised application forms and flow charts.
- B) Dakota Electric's Distribution Interconnection Agreement (MN DIA), including the changes provided to the base document from the DGWG.

Following is a discussion of the changes which have been made to the Dakota Electric version of the documents from the base MN DIP and MN DIA documents.

### ***Distribution Interconnection Process (DIP)***

#### Change “Area EPS” to “Dakota Electric”

Throughout the attached Dakota Electric version of the DIP, the term “Area EPS” has been changed to “Dakota Electric” to improve readability of the documents. For the DIA this change is also required to legally represent Dakota Electric as one of the parties to the interconnection agreement.

#### Other Miscellaneous Changes to the MN DIP

Section 1.1.1.2 – Adjusted the wording in this section to read correctly

Section 1.1.5.1.2 – Increased from 20 kW to 40 kW where Dakota Electric will use the Uniform Statewide Contract, see next section

Section 1.1.7 – correct wording, changed “on” to “or”

Section 1.8.3 – removed extra word “Interconnection”

Spacing and formatting – corrected spacing between paragraphs to be consistent and make paragraph formatting consistent

Attachment 6 – System Impact Study Agreement – Added date to signature block

#### Use of the Uniform Statewide Contract vs MN DIA

In Section 1.1.5.1.3, Dakota Electric has modified the threshold of when the MN DIA will be required for interconnection. The base MN DIP has 20 kW as the threshold when the longer DIA is required vs the Uniform Statewide Contract. Dakota Electric is proposing to move the 20 kW level up to 40 kW, to allow the use of the smaller Uniform Statewide Contract as the sole required interconnection agreement document. This reduces the overall required paperwork and simplifies the interconnection process for the DER application between 20 kW and 40 kW. So, only for DER interconnections above 40 kW would the applicant be required to complete the DIA agreement.

#### Electronic Submittal of DER Applications and changes to the Application Forms

Since Dakota Electric has slightly more than 40 DER applications per year, Dakota Electric is required to provide an electronic application process. Dakota Electric considered using email as the electronic application process, but with the need to also obtain the payment of the application fee, the use of email was problematic. This was due

to the handling of sensitive credit card information via email or the need to require the applicant to mail in the payment check, which would result in delays. Dakota Electric in conjunction with our transmission and power supplier, Great River Energy, reached out to on-line, web-based application processing systems and found that there were several companies which already have a system developed and used by other utilities. Proposals from other companies who would design and build an on-line application system from scratch were also received. The initial and annual cost of these systems was found to be significant. The existing on-line application systems are used by utilities which have thousands of DER interconnection applications annually. So they can spread those costs over thousands of applications. The design and build from scratch solutions were also very expensive and the time frame to develop and test this new application was very long. For the limited number of DER interconnection applications which are received by Dakota Electric, the added cost per application would be prohibitive.

Through this research process, Star Energy, who provides engineering support for many of the Great River Energy Cooperatives, was contacted by their members and decided to develop their own on-line application system for the Cooperatives which they support. Star Energy has identified a cost-effective solution for providing an on-line application portal. Dakota Electric has reached out and is in discussions with Star Energy to use their on-line application system for the Dakota Electric members. The initial and annual costs proposed by Star Energy for use of their on-line application system are reasonable and assuming a continued increase in the quantity of DER interconnection applications, the additional cost per application will continue to decrease.

As a result of the plan to use the Star Energy on-line portal, the application forms attached to the Dakota Electric version of the MN DIP are reflective of the application forms which Star Energy is planning on using within their on-line system. These application forms are designed to request the same information as the forms within the MN DIP document and developed by the DGWG. The look and feel of the forms is different, but this allows Dakota Electric to easily utilize the Star Energy DER on-line application portal.

The following forms, which are included within the DIP document, are designed to work with the Star Energy on-line application process.

- Attachment 2:
  - a. Exhibit A: Simplified Application Form
  - b. Exhibit B: Energy Storage Application Form
- Attachment 3: Interconnection Application Form

The Simplified Application Form from the proposed Star Energy on-line application system has been used in Attachment 2, Exhibit A. The following changes were made from the standard form to help with the overall process.

- 1) Request for a list of all certified equipment was added to clarify what equipment is certified.
- 2) To assist in determining if this is a new service, a question was added: “Will the Proposed DER system be interconnect to an existing electrical service?”
- 3) To provide additional information to the applicant about the process the following additional disclaimer has been added: “Proposed DER interconnection to the Utility’s distribution submitted under the Simplified Process may be moved to the Fast Track Process if engineering screens are failed during the Simplified Application review.”

The Interconnection Application Form from the proposed Star Energy on-line application system has been used in Attachment 3. The following changes were made from the standard MN DIP form to help with the overall process.

- 1) To assist in determining if this is a new service, a question was added: “Will the Proposed DER system be interconnect to an existing electrical service?”
- 2) To provide additional information to the applicant about the process the following additional disclaimer has been added: “Proposed DER interconnection to the Utility’s distribution submitted under the Simplified Process may be moved to the Fast Track Process if engineering screens are failed during the Simplified Application review.”

One of the requirements in section 1.2.2.2 of the MN DIP is that Dakota Electric post on its web site, all of the application forms in a format which allows for electronic entry of data. Since the planned on-line application system will be able to automatically time stamp the application and supports an accurate queue, Dakota Electric needs all applications to go through the on-line system. The on-line system also supports improved

communication with the member and is planned to allow the member to see the status of their application at any time. So, Dakota Electric plans on requiring all applicants to use the on-line system for all DG interconnection applications. This proposal by Dakota Electric would not allow individually mailed applications as that would bypass the on-line queue process. Dakota Electric plans on posting a PDF version of the applications on-line to allow the applicants to see what data is required for an application, but then direct the applicant to the on-line portal, where the applicant enters the data into the on-line application system.

#### Established the Application Fees

In several sections of the basic MN DIP the filing fees are identified as “up to” some dollar amount. Dakota Electric has reviewed our costs for providing this service and have found that our actual costs are significantly greater than the dollar amount allowed. For example, in 2018 our average cost for evaluating DER interconnection applications and supporting the interconnection activities is \$766 per application. This is greater than the \$100 allowed. To provide the applicant with a clear understanding of the fees involved with an application we have removed the “up to” words before the dollar amount of the fee.

This change was done in section 1.4.1, for the pre-application fee, in section 1.5.1.1 for the simplified process application fee, and in section 1.5.1.2 for the fast track process application fee.

#### System Impact Study & Facilities Study Agreement

For both the System Impact Study and the Facilities Study Agreements, Dakota Electric has added its name to this document and added a date field to the signature block for both signatures.

#### Certification of Completion

Dakota Electric has not modified the DIP document to include the Certificate of Completion. Since the on-line application system has not been completed the actual format of the Certification of Completion document is not known. As part of the development the on-line portal it is planned to incorporate a process to allow the

applicant to submit the information stating that the installation is complete. This is expected to incorporate the same information that is on the proposed DGWG form.

#### Pre-Application Study Report Request

Dakota Electric has not modified the DIP document to include the Pre-Application Report Request Form for the same reason we have not added the Certification of Completion form. Since the on-line application system has not been completed the actual format of the Pre-Application Report Request Form is not known. The on-line portal is planned to allow an applicant to interact with the on-line portal to provide the information required for the Pre-Application Report Request.

The Pre-Application Study Report is one of the areas where the use of DER Capacity as is presently defined is a concern for Dakota Electric. Dakota Electric's goal is to provide the applicant with the most useful information possible and as 1.4.1.5 is written the applicant can either provide the Nameplate Capacity or the Maximum Capacity as defined at 5.14.3. In the list of required information to be supplied by the Area EPS (Dakota Electric) in response to the request is section 1.4.2.14. If the Nameplate Capacity is significantly greater than the Maximum Capacity provided by the applicant, some of the electrical dependencies, such as short circuit interrupting capacity issues or power quality may not be identified by the Area EPS, as they will be using the smaller Maximum Capacity number. Depending upon how the final definition of Capacity is resolved, the applicant could be encouraged to provide both Capacity values.

#### Flow Charts

The flow charts created by the DGWG subgroup have been inserted in Attachment 8.

#### ***Distributed Interconnection Agreement (MN DIA)***

The attached Dakota Electric Distribution Interconnection Agreement document has been modified from the base MN DIA as follows:

- Changed the title of the document to reflect that this is the Dakota Electric Association version of the Interconnection Agreement.

- Added the information for Dakota Electric to the first paragraph and as the Area EPS Operator on the first page.

Also, the changes provided by the DGWG have been included within the Dakota Electric Distributed Interconnection Agreement. These include adding the new section 3.4.7 – Treatment Similar for Other Retail Customers; new section 3.4.8 – Disconnection for Default and modification of section 5.2.1.2 to limit the time frame to 5 years for the recovery of payments for Network Upgrades which are not utilized by the Applicant. And clarifying that Dakota Electric is not required to refund the dollars for the unutilized Network Upgrades until it has been paid for the Network Upgrades by another Applicant.

In Section 13.1, added the Dakota Electric contact information and removed the Email contact information for legal notices.

In Section 13.2, 13.3 and 13.4, added the Dakota Electric contact information.

### ***Minnesota Statewide Contract***

Dakota Electric will continue to use the unmodified Uniform Statewide Contract Form as required by Minnesota Statute 7835.9910. Attached is a copy of the document that we are using with the section reflecting the public utilities shown in lighter gray font. This should help the reader focus on the sections of this contract which pertain to a Cooperative utility such as Dakota Electric Association.

### ***Transition Process***

Dakota Electric has started work on migrating our process from the existing interconnection process to following the new MN DIP document. We expect to have our internal process migrated to follow the Dakota Electric version of the new MN DIP document before June of 2019. For example, as required by the new MN DIP document, we have started entering all of our new interconnection applications in to an integration queue and processing them according to their place in the queue. We plan on developing a method to post the queue on our web site prior to the June 2019 deadline.

The adoption and use of the new application forms and interconnection agreement will be done after we have received approval for the use of these forms.



## **Conclusion**

Attached are the documents Dakota Electric has submitted for review and Commission approval. These documents include the Dakota Electric specific Distribution Interconnection Process and Distribution Interconnection Agreement. Since the technical working group is still working on the definition of DER Capacity, we request that, as part of the on-going review and approval process, Dakota Electric be allowed to create updated documents to reflect the changes resulting from the DGWG discussions. Dakota Electric looks forward to improving the distributed interconnection process through further refinement of these documents.

If you or your staff have any questions about this compliance filing, please contact Craig Turner or Doug Larson.

Sincerely,

/s/ Craig Turner

Craig Turner  
Director of Engineering Services  
651 463-6337  
cturner@dakotaelectric.com

/s/ Doug Larson

Doug Larson  
Vice President of Regulatory Services  
651-463-6258  
dlarson@dakotaelectric.com

Dakota Electric Association  
4300 220<sup>th</sup> Street West  
Farmington, MN 55024

**Certificate of Service**

I, Cherry Jordan, hereby certify that I have this day served copies of the attached document to those on the following service list by e-filing, personal service, or by causing to be placed in the U.S. mail at Farmington, Minnesota.

**Docket Nos. *E-999/CI-01-1023 and E-999/CI-16-521***

Dated this 9th day of November 2018

*/s/ Cherry Jordan*

---

Cherry Jordan

# Minnesota Distributed Energy Resource Interconnection Agreement (MN DIA)

(Adopted for use by Dakota Electric Association from the Minnesota Distributed Energy  
Resource Interconnection Agreement MN DIA)

V. 2.2

11/8/2018

## Table of Contents

ARTICLE 1. SCOPE AND LIMITATIONS OF AGREEMENT .....	4
ARTICLE 2. INSPECTION, TESTING, AUTHORIZATION, AND RIGHT OF ACCESS.....	7
ARTICLE 3. EFFECTIVE DATE, TERM, TERMINATION, AND DISCONNECTION .....	8
ARTICLE 4. COST RESPONSIBILITY FOR INTERCONNECTION FACILITIES AND DISTRIBUTION UPGRADES.....	10
ARTICLE 5. COST RESPONSIBILITY FOR NETWORK UPGRADES.....	11
ARTICLE 6. BILLING, PAYMENT, MILESTONES, AND FINANCIAL SECURITY.....	13
ARTICLE 7. ASSIGNMENT, LIABILITY, NON-WARRANTY, INDEMNITY, FORCE MAJEURE, CONSEQUENTIAL DAMAGES, AND DEFAULT .....	14
ARTICLE 8. INSURANCE .....	17
ARTICLE 9. CONFIDENTIALITY .....	18
ARTICLE 10. DISPUTES.....	19
ARTICLE 11. TAXES .....	20
ARTICLE 12. MISCELLANEOUS.....	21
ARTICLE 13. NOTICES .....	25
ATTACHMENT 1: GLOSSARY OF TERMS.....	29
ATTACHMENT 2: DESCRIPTION AND COSTS OF THE DISTRIBUTED ENERGY RESOURCE, INTERCONNECTION FACILITIES, AND METERING EQUIPMENT .....	35
ATTACHMENT 3: ONE-LINE DIAGRAM DEPICTING THE DISTRIBUTED ENERGY RESOURCE, INTERCONNECTION FACILITIES, METERING EQUIPMENT, AND UPGRADES .....	36
ATTACHMENT 4: MILESTONES.....	37
ATTACHMENT 5: ADDITIONAL OPERATING AND MAINTENANCE REQUIREMENTS FOR THE AREA EPS OPERATOR’S DISTRIBUTION SYSTEM AND AFFECTED SYSTEMS NEEDED TO SUPPORT THE INTERCONNECTION CUSTOMER’S NEEDS.....	38
ATTACHMENT 6: AREA EPS OPERATOR’S DESCRIPTION OF DISTRIBUTION AND NETWORK UPGRADES AND GOOD FAITH ESTIMATES OF UPGRADE COSTS.....	39

This Interconnection Agreement (“Agreement”) is made and entered into this \_\_\_\_\_ day of \_\_\_\_\_, 20\_\_, by **Dakota Electric Association**

(“Area EPS Operator”), and \_\_\_\_\_

(“Interconnection Customer”) each hereinafter sometimes referred to individually as “Party” or both referred to collectively as the “Parties.”

Area EPS Operator Information:

Area EPS Operator: Dakota Electric Association

Attention: Generation Interconnection Coordinator

Address: 4300 220<sup>th</sup> St West

City: Farmington State: Minnesota Zip: 55024

Phone: \_\_\_\_\_ Email: \_\_\_\_\_

Interconnection Customer Information:

Interconnection Customer: \_\_\_\_\_

Attention: \_\_\_\_\_

Address: \_\_\_\_\_

City: \_\_\_\_\_ State: \_\_\_\_\_ Zip: \_\_\_\_\_

Phone: \_\_\_\_\_ Email: \_\_\_\_\_

Interconnection Customer Application No: \_\_\_\_\_

Distributed Energy Resource Information (To be completed by the Area EPS Operator)

Type of DER System (e.g.Solar, Wind, CHP, Solar+Storage): \_\_\_\_\_

Nameplate Rating \_\_\_\_\_(ac)

DER capacity (as described in MN DIP 5.14.3)) \_\_\_\_\_(ac)

Address of DER system:— \_\_\_\_\_

City:— \_\_\_\_\_ State: MN Zipcode: \_\_\_\_\_

In consideration of the mutual covenants set forth herein, the Parties agree as follows:

## 1. Article 1. Scope and Limitations of Agreement

- 1.1. This Agreement is intended to provide for the Interconnection Customer to interconnect at the Point of Common Coupling and operate a Distributed Energy Resource with a Nameplate Rating of 10 Megawatts (MW) or less in parallel with the Area EPS at the location identified above and in the Interconnection Application.
- 1.2. This Agreement shall be used for all Interconnection Applications submitted under the Minnesota Distributed Energy Resources Interconnection Process (MN DIP) except for those submitted and processed under the Simplified Process contained in MN DIP Section 2 or qualify and chooses under MN DIP Section 1.1.5 for the Uniform Statewide Contract to replace the need for this Agreement.
- 1.3. This Agreement governs the terms and conditions under which the Interconnection Customer's Distributed Energy Resource will interconnect with, and operate in parallel with, the Area EPS Operator's Distribution System.
- 1.4. Capitalized terms used herein shall have the meanings specified in the Glossary of Terms in Attachment 1, the MN DIP, or the body of this Agreement.
- 1.5. This Agreement does not constitute an agreement to purchase or deliver the Interconnection Customer's power. The purchase or delivery of power and other services that the Interconnection Customer may require will be covered under separate agreements, if any. The Interconnection Customer will be responsible for separately making all necessary arrangements (including scheduling) for delivery of electricity with the applicable Area EPS Operator.
- 1.6. Nothing in this Agreement is intended to affect any other agreement between the Area EPS Operator and the Interconnection Customer.

## 1.7. Responsibilities of the Parties

- 1.7.1. The Parties shall perform all obligations of this Agreement in accordance with the MN DIP, Minnesota Technical Requirements, all Applicable Laws and Regulations, Operating Requirements, and Good Utility Practice.
- 1.7.2. The Interconnection Customer shall construct, interconnect, operate and maintain its Distributed Energy Resource and construct, operate, and maintain its Interconnection Facilities in accordance with the applicable manufacturer's recommended maintenance schedule and, in accordance with this Agreement, and with Good Utility Practice.
- 1.7.3. The Area EPS Operator shall construct, operate, and maintain its Distribution System and its Interconnection Facilities in accordance with this Agreement, and with Good Utility Practice.
- 1.7.4. The Interconnection Customer agrees to construct its facilities or systems in accordance with the Minnesota Technical Requirements and this Agreement; including, applicable specifications that meet or exceed those provided by the National Electrical Safety Code, the American National Standards Institute, IEEE, Underwriter's Laboratory, and Operating Requirements in effect at the time of construction and other applicable national and state codes and standards. The Interconnection Customer agrees to design, install, maintain, and operate its Distributed Energy Resource so as to reasonably minimize the likelihood of a disturbance adversely affecting or impairing the system or equipment of the Area EPS Operator and any Affected Systems.
- 1.7.5. Each Party shall operate, maintain, repair, and inspect, and shall be fully responsible for the facilities that it now owns or subsequently owns unless otherwise specified in the Attachments to this Agreement. Each Party shall be responsible for the safe installation, maintenance, repair and condition of their respective lines and appurtenances on their respective sides of the point of common coupling. The Area EPS Operator and the Interconnection Customer, as appropriate, shall provide Interconnection Facilities that adequately protect the Area EPS Operator's Distribution System, personnel, and other persons from damage and injury. The allocation of responsibility for the design, installation, operation, maintenance and ownership of Interconnection Facilities shall be delineated in the Attachments to this Agreement.
- 1.7.6. The Area EPS Operator shall coordinate with all Affected Systems to support the interconnection.

## 1.8. Parallel Operation Obligations

Once the Distributed Energy Resource has been authorized to commence parallel operation, the Interconnection Customer shall abide by all rules and procedures pertaining to the parallel operation of the Distributed Energy Resource in the applicable control area, including, but not limited to; 1) the rules and procedures concerning the operation of generation set forth in the Tariff or by the applicable system operator(s) for the Area EPS Operator's Distribution System provided or referenced in an attachment to this Agreement and; 2) the Operating Requirements set forth in Attachment 5 of this Agreement. The Minnesota Technical Requirements for interconnection are covered in a separate document, a copy of which has been made available to the Interconnection Customer and incorporated and made part of this Agreement by this reference.

## 1.9. Metering

As described in MN DIP 5.4, the Interconnection Customer shall be responsible for the Area EPS Operator's reasonable and necessary cost for the purchase, installation, operation, maintenance, testing, repair, and replacement of metering and data acquisition equipment specified in Attachments 2 and 3 of this Agreement. The Interconnection Customer's metering (and data acquisition, as required) equipment shall conform to applicable industry rules and Operating Requirements.

## 1.10. Distributed Energy Resource Capabilities and Grid Reliability

- 1.10.1. The Minnesota Technical Requirements outlines the Parties responsibilities consistent with IEEE 1547 Standard for Interconnection and Interoperability of Distributed Energy Resources with Associated Electric Power Systems Interfaces which provides requirements relevant to the interconnection and interoperability performance, operation and testing, and, to safety, maintenance and security considerations.
- 1.10.2. The Area EPS Operator may offer the Interconnection Customer the option to utilize required DER capabilities to mitigate Interconnection Customer costs related to Upgrades or Interconnection Facilities to address anticipated system impacts from the engineering review (i.e. Initial Review, Supplemental Review, or Study Process described in the MN DIP.)



## 2. Article 2. Inspection, Testing, Authorization, and Right of Access

### 2.1. Equipment Testing and Inspection

As described in MN DIP Section 5.7, the Interconnection Customer shall test and inspect its Distributed Energy Resource and Interconnection Facilities prior to interconnection pursuant to Minnesota Technical Requirements and this Agreement.

### 2.2. Authorization Required Prior to Parallel Operation

As described in MN DIP Section 5.8, the Area EPS Operator shall use Reasonable Efforts to list applicable parallel operation requirements by attaching the Minnesota Technical Requirements and/or including them in Attachment 5 to this Agreement. Additionally, the Area EPS Operator shall notify the Interconnection Customer of any changes to these requirements as soon as they are known. Pursuant to the MN DIP 5.8.2, the Interconnection Customer shall not operate its Distributed Energy Resource in parallel with the Area EPS Operator's Distribution System without prior written authorization of the Area EPS Operator.

### 2.3. Right of Access

2.3.1. Upon reasonable notice, the Area EPS Operator may send a qualified person to the premises of the Interconnection Customer at or immediately before the time the Distributed Energy Resource first produces energy to inspect the interconnection, and observe the commissioning of the Distributed Energy Resource (including any required testing), startup, and operation for a period of up to three Business Days after initial start-up of the unit. In addition, the Interconnection Customer shall notify the Area EPS Operator at least five Business Days prior to conducting any on-site verification testing of the Distributed Energy Resource.

2.3.2. Following the initial inspection process described above, at reasonable hours, and upon reasonable notice, or at any time without notice in the event of an emergency or hazardous condition, the Area EPS Operator shall have access to the Interconnection Customer's premises for any reasonable purpose in connection with the performance of the obligations imposed on it by this Agreement or if necessary to meet its legal obligation to provide service to its customers.

2.3.3. Each Party shall be responsible for its costs associated with following this article as outlined in MN DIP Section 5.7.2 and the Minnesota Technical Requirements.

### 3. Article 3. Effective Date, Term, Termination, and Disconnection

#### 3.1. Effective Date

This Agreement shall become effective upon execution by the Parties.

#### 3.2. Term of Agreement

This Agreement shall become effective on the Effective Date and shall remain in effect from the Effective Date unless terminated earlier in accordance with article 3.3 of this Agreement.

#### 3.3. Termination

No termination shall become effective until the Parties have complied with all Applicable Laws and Regulations applicable to such termination.

3.3.1. The Interconnection Customer may terminate this Agreement at any time by giving the Area EPS Operator 20 Business Days written notice.

3.3.2. Either Party may terminate this Agreement after Default pursuant to article 7.7.

3.3.3. Upon termination of this Agreement, the Distributed Energy Resource will be disconnected from the Area EPS Operator's Distribution System. All costs required to effectuate such disconnection shall be borne by the terminating Party, unless such termination resulted from the non-terminating Party's Default of this MN DIA or such non-terminating Party otherwise is responsible for these costs under this MN DIA.

3.3.4. The termination of this Agreement shall not relieve either Party of its liabilities and obligations, owed or continuing at the time of the termination.

3.3.5. The provisions of this article shall survive termination or expiration of this Agreement.

#### 3.4. Temporary Disconnection

Temporary disconnection shall continue only for so long as reasonably necessary under Good Utility Practice.

##### 3.4.1. Emergency Conditions

Under Emergency Conditions, the Area EPS Operator may immediately suspend interconnection service and temporarily disconnect the Distributed Energy Resource. The Area EPS Operator shall use Reasonable Efforts to notify the Interconnection Customer promptly when it becomes aware of an Emergency Condition that may reasonably be expected to affect the Interconnection Customer's operation of the Distributed Energy Resource. The Interconnection

Customer shall use Reasonable Efforts to notify the Area EPS Operator promptly when it becomes aware of an Emergency Condition that may reasonably be expected to affect the Area EPS Operator's Distribution System or any Affected Systems. To the extent information is known, the notification shall describe the Emergency Condition, the extent of the damage or deficiency, the expected effect on the operation of both Parties' facilities and operations, its anticipated duration, and the necessary corrective action.

3.4.2. Routine Maintenance, Construction, and Repair

The Area EPS Operator may interrupt interconnection service or curtail the output of the Distributed Energy Resource and temporarily disconnect the Distributed Energy Resource from the Area EPS Operator's Distribution System when necessary for routine maintenance, construction, or repairs on the Area EPS Operator's Distribution System. The Area EPS Operator shall use Reasonable Efforts to provide the Interconnection Customer with three Business Days notice prior to such interruption. The Area EPS Operator shall use Reasonable Efforts to coordinate such reduction or temporary disconnection with the Interconnection Customer.

3.4.3. Forced Outage

During any forced outage, the Area EPS Operator may suspend interconnection service to effect immediate repairs on the Area EPS Operator's Distribution System. The Area EPS Operator shall use Reasonable Efforts to provide the Interconnection Customer with prior notice. If prior notice is not given, the Area EPS Operator shall, upon request, provide the Interconnection Customer written documentation after the fact explaining the circumstances of the disconnection.

3.4.4. Adverse Operating Effects

The Area EPS Operator shall notify the Interconnection Customer as soon as practicable if, based on Good Utility Practice, operation of the Distributed Energy Resource may cause disruption or deterioration of service to other customers served from the same electric system, or if operating the Distributed Energy Resource could cause damage to the Area EPS Operator's Distribution System or Affected Systems. Supporting documentation used to reach the decision to disconnect shall be provided to the Interconnection Customer upon request. If, after notice, the Interconnection Customer fails to remedy the adverse operating effect within a reasonable time, the Area EPS Operator may disconnect the Distributed Energy Resource. The Area EPS Operator shall provide the Interconnection Customer with five Business Day notice of such disconnection, unless the provisions of article 3.4.1 apply.

#### 3.4.5. Modification of the Distributed Energy Resource

The Interconnection Customer must receive written authorization from the Area EPS Operator before making any change to the Distributed Energy Resource that may have a material impact on the safety or reliability of the Distribution System. Such authorization shall not be unreasonably withheld if the modification is not a Material Modification. Material Modifications, including an increase nameplate rating or capacity, may require the Interconnection Customer to submit a new Interconnection Application as described in MN DIP Section 1.6.2. If the Interconnection Customer makes such modification without the Area EPS Operator's prior written authorization, the latter shall have the right to temporarily disconnect the Distributed Energy Resource.

#### 3.4.6. Reconnection

The Parties shall cooperate with each other to restore the Distributed Energy Resource, Interconnection Facilities, and the Area EPS Operator's Distribution System to their normal operating state as soon as reasonably practicable following a temporary disconnection.

#### 3.4.7. Treatment Similar to Other Retail Customers

If the Interconnection Customer receives retail electrical service at the same site as the Distributed Energy Resource, it may also be disconnected consistent with the rules and practices for disconnecting other retail electrical customers.

#### 3.4.8. Disconnection for Default

If the Interconnection Customer is in Default it may be disconnected after a 60 day written notice is provided and the Default is not cured during this 60 day notice. This provision does not apply to disconnection based upon Emergency Conditions.

## 4. Article 4. Cost Responsibility for Interconnection Facilities and Distribution Upgrades

### 4.1. Interconnection Facilities

4.1.1. The Interconnection Customer shall pay for the cost of the Interconnection Facilities itemized in Attachment 2 of this Agreement. The Area EPS Operator shall provide a good faith estimate cost, including overheads, for the purchase and construction of its Interconnection Facilities and provide a detailed itemization of such costs. Costs associated with Interconnection Facilities may be shared with

other entities that may benefit from such facilities by agreement of the Interconnection Customer, such other entities, and the Area EPS Operator.

- 4.1.2. The Interconnection Customer shall be responsible for its share of all reasonable expenses, including overheads, associated with (1) owning, operating, maintaining, repairing, and replacing its own Interconnection Facilities, and (2) operating, maintaining, repairing, and replacing the Area EPS Operator's Interconnection Facilities.

#### 4.2. Distribution Upgrades

The Area EPS Operator shall design, procure, construct, install, and own the Distribution Upgrades described in Attachment 6 of this Agreement. The Area EPS Operator shall provide a good faith estimate cost, including overheads, for the purchase and construction of the Distribution Upgrades and provide a detailed itemization of such costs. If the Area EPS Operator and the Interconnection Customer agree, the Interconnection Customer may construct Distribution Upgrades that are located on land owned by the Interconnection Customer. The actual cost of the Distribution Upgrades, including overheads, shall be directly assigned to the Interconnection Customer.

## 5. Article 5. Cost Responsibility for Network Upgrades

### 5.1. Applicability

No portion of this Article 5 shall apply unless the interconnection of the Distributed Energy Resource requires Network Upgrades.

### 5.2. Network Upgrades

The Area EPS Operator or the Transmission Owner shall design, procure, construct, install, and own the Network Upgrades described in Attachment 6 of this Agreement. The Area EPS Operator shall provide a good faith estimate cost, including overheads, for the purchase and construction of the Network Upgrades and provide a detailed itemization of such costs. If the Area EPS Operator and the Interconnection Customer agree, the Interconnection Customer may construct Network Upgrades that are located on land owned by the Interconnection Customer. Unless the Area EPS Operator elects to pay for Network Upgrades, the actual cost of the Network Upgrades, including overheads, shall be borne initially by the Interconnection Customer.

#### 5.2.1. Repayment of Amounts Advanced for Network Upgrades

The Interconnection Customer shall be entitled to a cash repayment, equal to the total amount paid to the Area EPS Operator and Affected System operator, if any, for Network Upgrades, including any tax gross-up or other tax-related payments associated with the Network Upgrades, and not otherwise refunded to the

Interconnection Customer, to be paid to the Interconnection Customer on a dollar-for-dollar basis for the non-usage sensitive portion of transmission charges, as payments are made under the Area EPS Operator's Tariff and Affected System's Tariff for transmission services with respect to the Distributed Energy Resource. Any repayment shall include interest calculated in accordance with the methodology set forth in FERC's regulations at 18 C.F.R. § 35.19a(a)(2)(iii) from the date of any payment for Network Upgrades through the date on which the Interconnection Customer receives a repayment of such payment pursuant to this subparagraph. The Interconnection Customer may assign such repayment rights to any person.

5.2.1.1. Notwithstanding the foregoing, the Interconnection Customer, the Area EPS Operator, and any applicable Affected System operators may adopt any alternative payment schedule that is mutually agreeable so long as the Area EPS Operator and said Affected System operators take one of the following actions no later than five years from the Commercial Operation Date: (1) return to the Interconnection Customer any amounts advanced for Network Upgrades not previously repaid, or (2) declare in writing that the Area EPS Operator or any applicable Affected System operators will continue to provide payments to the Interconnection Customer on a dollar-for-dollar basis for the non-usage sensitive portion of transmission charges, or develop an alternative schedule that is mutually agreeable and provides for the return of all amounts advanced for Network Upgrades not previously repaid; however, full reimbursement shall not extend beyond 20 years from the commercial operation date.

5.2.1.2. If the Distributed Energy Resource fails to achieve commercial operation, but it or another Distributed Energy Resource is later constructed and requires use of the Network Upgrades within five (5) years of being constructed, the Area EPS Operator and Affected System operator (after receiving payment in the amount of the cost to build these Network Upgrades from the other Distributed Energy Resource who is expected to use the Network Upgrades, shall at that time reimburse the Interconnection Customer for the amounts advanced for the Network Upgrades. Before any such reimbursement can occur, the Interconnection Customer, or the entity that ultimately constructs the Distributed Energy Resource, if different, is responsible for identifying the entity to which reimbursement must be made.

### 5.3. Special Provisions for Affected Systems

Unless the Area EPS Operator provides, under this Agreement, for the repayment of amounts advanced to any applicable Affected System operators for Network Upgrades, the Interconnection Customer and Affected System operator shall enter into an agreement that provides for such repayment. The agreement shall specify the terms

governing payments to be made by the Interconnection Customer to Affected System operator as well as the repayment by Affected System operator.

#### 5.4. Rights Under Other Agreements

Notwithstanding any other provision of this Agreement, nothing herein shall be construed as relinquishing or foreclosing any rights, including but not limited to firm transmission rights, capacity rights, transmission congestion rights, or transmission credits, that the Interconnection Customer shall be entitled to, now or in the future, under any other agreement or tariff as a result of, or otherwise associated with, the transmission capacity, if any, created by the Network Upgrades, including the right to obtain cash reimbursements or transmission credits for transmission service that is not associated with the Distributed Energy Resource.

## 6. Article 6. Billing, Payment, Milestones, and Financial Security

### 6.1. Billing and Payment Procedures and Final Accounting

- 6.1.1. The Area EPS Operator shall bill the Interconnection Customer for the design, engineering, construction, and procurement costs of Interconnection Facilities and Upgrades contemplated by this Agreement, and the Interconnection Customer shall pay each bill, pursuant to the MN DIP 5.6.5, or as otherwise agreed to by the Parties.
- 6.1.2. Within 80 Business Days (approximately 4 calendar months) of completing the construction and installation of the Area EPS Operator's Interconnection Facilities and/or Upgrades described in the Attachments to this Agreement, the Area EPS Operator shall provide the Interconnection Customer with a final accounting report, as described in the MN DIP 5.6.6.

### 6.2. Milestones

Pursuant to the MN DIP 4.4.5, 5.6.2 and 5.6.3, the Parties shall agree on milestones for which each Party is responsible and list them in Attachment 4 of this Agreement.

### 6.3. Financial Security Arrangements

Pursuant to the MN DIP 5.6.4, the Interconnection Customer shall provide the Area EPS Operator, at the Interconnection Customer's option, a guarantee, letter of credit or other form of security that is reasonably acceptable to the Area EPS Operator and is consistent with the Minnesota Uniform Commercial Code. Such security for payment shall be in an amount sufficient to cover the costs for constructing, designing, procuring, and installing the applicable portion of the Area EPS Operator's Interconnection Facilities and

Upgrades and shall be reduced on a dollar-for-dollar basis for payments made to the Area EPS Operator under this Agreement during its term. In addition:

~~6.3.1.~~ The guarantee must be made by an entity that meets the creditworthiness requirements of the Area EPS ~~Operator, and~~ Operator and contain terms and conditions that guarantee payment of any amount that may be due from the Interconnection Customer, up to an agreed-to maximum amount.

~~6.3.1.~~ 6.3.2. The letter of credit must be issued by a financial institution or insurer reasonably acceptable to the Area EPS Operator and must specify a reasonable expiration date not sooner than sixty (60) Business Days (three calendar months) after the due date for the issuance of the final bill.

## 7. Article 7. Assignment, Liability, Non-Warranty, Indemnity, Force Majeure, Consequential Damages, and Default

### 7.1. Assignment

This Agreement may be assigned by either Party upon 15 Business Days prior written notice and opportunity to object by the other Party; provided that:

- 7.1.1. Either Party may assign this Agreement without the consent of the other Party to any affiliate of the assigning Party with an equal or greater credit rating and with the legal authority and operational ability to satisfy the obligations of the assigning Party under this Agreement, provided that the Interconnection Customer promptly notifies the Area EPS Operator of any such assignment;
- 7.1.2. The Interconnection Customer shall have the right to assign this Agreement, without the consent of the Area EPS Operator, for collateral security purposes to aid in providing financing for the Distributed Energy Resource, provided that the Interconnection Customer will promptly notify the Area EPS Operator of any such assignment.
- 7.1.3. Any attempted assignment that violates this article is void and ineffective. Assignment shall not relieve a Party of its obligations, nor shall a Party's obligations be enlarged, in whole or in part, by reason thereof. An assignee is responsible for meeting the same financial, credit, and insurance obligations as the Interconnection Customer. Where required, consent to assignment will not be unreasonably withheld, conditioned or delayed.



## 7.2. Limitation of Liability

Each Party's liability to the other Party for any loss, cost, claim, injury, liability, or expense, including reasonable attorney's fees, relating to or arising from any act or omission in its performance of this Agreement, shall be limited to the amount of direct damage actually incurred. In no event shall either Party be liable to the other Party for any indirect, special, consequential, or punitive damages, except as authorized by this Agreement.

## 7.3. Non-Warranty

The Area EPS Operator does not give any warranty, expressed or implied, as to the adequacy, safety, or other characteristics of any structures, equipment, wires, appliances or devices owned, installed or maintained by the Interconnection Customer, including without limitation the Distributed Energy Resource and any structures, equipment, wires, appliances or devices not owned, operated or maintained by the Area EPS Operator.

## 7.4. Indemnity

- 7.4.1. This provision protects each Party from liability incurred to third parties as a result of carrying out the provisions of this Agreement. Liability under this provision is exempt from the general limitations on liability found in article 7.2.
- 7.4.2. The Parties shall at all times indemnify, defend, and hold the other Party harmless from, any and all damages, losses, claims, including claims and actions relating to injury to or death of any person or damage to property, demand, suits, recoveries, costs and expenses, court costs, attorney fees, and all other obligations by or to third parties, arising out of or resulting from the other Party's action or failure to meet its obligations under this Agreement on behalf of the indemnifying Party, except in cases of gross negligence or intentional wrongdoing by the indemnified Party.
- 7.4.3. This indemnification obligation shall apply notwithstanding any negligent or intentional acts, errors or omissions of the Indemnified Party, but the Indemnifying Party's liability to indemnify the Indemnified Party shall be reduced in proportion to the percentage by which the Indemnified Party's negligent or intentional acts, errors or omissions caused the damage.
- 7.4.4. Neither Party shall be indemnified for its damages resulting from its sole negligence, intentional acts or willful misconduct. These indemnity provisions shall not be construed to relieve any insurer of its obligation to pay claims consistent with the provisions of a valid insurance policy.
- 7.4.5. If an indemnified person is entitled to indemnification under this article as a result of a claim by a third party, and the indemnifying Party fails, after notice and reasonable opportunity to proceed under this article, to assume the defense of

such claim, such indemnified person may at the expense of the indemnifying Party contest, settle or consent to the entry of any judgment with respect to, or pay in full, such claim.

7.4.6. If an indemnifying party is obligated to indemnify and hold any indemnified person harmless under this article, the amount owing to the indemnified person shall be the amount of such indemnified person's actual loss, net of any insurance or other recovery.

7.4.7. Promptly after receipt by an indemnified person of any claim or notice of the commencement of any action or administrative or legal proceeding or investigation as to which the indemnity provided for in this article may apply, the indemnified person shall notify the indemnifying party of such fact. Any failure of or delay in such notification shall not affect a Party's indemnification obligation unless such failure or delay is materially prejudicial to the indemnifying party.

#### 7.5. Consequential Damages

Other than as expressly provided for in this Agreement, neither Party shall be liable under any provision of this Agreement for any losses, damages, costs or expenses for any special, indirect, incidental, consequential, or punitive damages, including but not limited to loss of profit or revenue, loss of the use of equipment, cost of capital, cost of temporary equipment or services, whether based in whole or in part in contract, in tort, including negligence, strict liability, or any other theory of liability; provided, however, that damages for which a Party may be liable to the other Party under another agreement will not be considered to be special, indirect, incidental, or consequential damages hereunder.

#### 7.6. Force Majeure

If a Force Majeure Event prevents a Party from fulfilling any obligations under this Agreement, the Party affected by the Force Majeure Event (Affected Party) shall promptly notify the other Party, either in writing or via the telephone, of the existence of the Force Majeure Event. The notification must specify in reasonable detail the circumstances of the Force Majeure Event, its expected duration, and the steps that the Affected Party is taking to mitigate the effects of the event on its performance. The Affected Party shall keep the other Party informed on a continuing basis of developments relating to the Force Majeure Event until the event ends. The Affected Party will be entitled to suspend or modify its performance of obligations under this Agreement (other than the obligation to make payments) only to the extent that the effect of the Force Majeure Event cannot be mitigated by the use of Reasonable Efforts. The Affected Party will use Reasonable Efforts to resume its performance as soon as possible.

## 7.7. Default

- 7.7.1. No Default shall exist where such failure to discharge an obligation (other than the payment of money) is the result of a Force Majeure Event as defined in this Agreement or the result of an act or omission of the other Party. Upon a Default, the non-defaulting Party shall give written notice of such Default to the defaulting Party. Except as provided in article 7.6.2, the defaulting Party shall have 60 calendar days from receipt of the Default notice within which to cure such Default; provided however, if such Default is not capable of cure within 60 calendar days, the defaulting Party shall commence such cure within 20 calendar days after notice and continuously and diligently complete such cure within six months from receipt of the Default notice; and, if cured within such time, the Default specified in such notice shall cease to exist.
- 7.7.2. If a Default is not cured as provided in this article, or if a Default is not capable of being cured within the period provided for herein, the non-defaulting Party shall have the right to terminate this Agreement by written notice at any time until cure occurs, and be relieved of any further obligation hereunder and, whether or not that Party terminates this Agreement, to recover from the defaulting Party all amounts due hereunder, plus all other damages and remedies to which it is entitled at law or in equity. The provisions of this article will survive termination of this Agreement.

## 8. Article 8. Insurance

- 8.1. An Area EPS Operator may only require an Interconnection Customer to purchase insurance covering damages pursuant to the MN DIP 5.10.
- 8.2. The Area EPS Operator agrees to maintain general liability insurance or self-insurance consistent with the Area EPS Operator's commercial practice. Such insurance or self-insurance shall not exclude coverage for the Area EPS Operator's liabilities undertaken pursuant to this Agreement.
- 8.3. The Parties further agree to notify each other whenever an accident or incident occurs resulting in any injuries or damages that are included within the scope of coverage of such insurance, whether or not such coverage is sought.
- 8.4. Failure of the Interconnection Customer or Area EPS Operator to enforce the minimum levels of insurance does not relieve the Interconnection Customer from maintaining such levels of insurance or relieve the Interconnection Customer of any liability.

## 9. Article 9. Confidentiality

- 9.1. Confidential Information shall mean any confidential and/or proprietary information provided by one Party to the other Party that is clearly marked or otherwise designated “Confidential.” For purposes of this Agreement, design, operating specifications, and metering data provided by the Interconnection Customer may be deemed Confidential Information regardless of whether it is clearly marked or otherwise designated as such. If requested by either Party, the other Party shall provide in writing the basis for asserting that the information warrants confidential treatment. Parties providing a Governmental Authority trade secret, privileged or otherwise not public or nonpublic data under the Minnesota Government Data Practices Act, Minnesota Statutes Chapter 13, shall identify such data consistent with the Commission’s September 1, 1999 Revised Procedures for Handling Trade Secret and Privileged Data, available online at: <https://mn.gov/puc/puc-documents/#4>
- 9.2. Confidential Information does not include information previously in the public domain with proper authorization, required to be publicly submitted or divulged by Governmental Authorities (after notice to the other Party and after exhausting any opportunity to oppose such publication or release), or necessary to be publicly divulged in an action to enforce this Agreement. Each Party receiving Confidential Information shall hold such information in confidence and shall not disclose it to any third party nor to the public without the prior written authorization from the Party providing that information, except to fulfill obligations under this Agreement, or to fulfill legal or regulatory requirements that could not otherwise be fulfilled by not making the information public.
- 9.2.1. Each Party shall hold in confidence and shall not disclose Confidential Information, to any person (except employees, officers, representatives and agents, who agree to be bound by this section). Confidential Information shall be clearly marked as such on each page or otherwise affirmatively identified. If a court, government agency or entity with the right, power, and authority to do so, requests or requires either Party, by subpoena, oral disposition, interrogatories, requests for production of documents, administrative order, or otherwise, to disclose Confidential Information, that Party shall provide the other Party with prompt notice of such request(s) or requirements(s) so that the other Party may seek an appropriate protective order or waive compliance with the terms of this Agreement. In the absence of a protective order or waiver the Party shall disclose such confidential information which, in the opinion of its counsel, the party is legally compelled to disclose. Each Party will use reasonable efforts to obtain reliable assurance that confidential treatment will be accorded any confidential information so furnished.

9.2.2. Critical infrastructure information or information that is deemed or otherwise designated by a Party as Critical Energy/Electric Infrastructure Information (CEII) pursuant to FERC regulation, [18 C.F.R. §388.133](#), as may be amended from time to time, may be subject to further protections for disclosure as required by FERC or FERC regulations or orders and the disclosing Party's CEII policies.

9.2.2.9.2.3. Each Party shall employ at least the same standard of care to protect Confidential Information obtained from the other Party as it employs to protect its own Confidential Information.

9.2.3.9.2.4. Each Party is entitled to equitable relief, by injunction or otherwise, to enforce its rights under this provision to prevent the release of Confidential Information without bond or proof of ~~damages, and~~damages and may seek other remedies available at law or in equity for breach of this provision.

## 10. Article 10. Disputes

10.1. The Parties agree to attempt to resolve all disputes arising out of the interconnection process and associated study and interconnection agreements according to the provisions of this article and Minnesota Administrative Rules 7829.1500-7829.1900. More information on the Commission's Consumer Affairs Office dispute resolution services is available on the Commission's website:

<https://mn.gov/puc/consumers/help/complaint/>

10.2. Prior to a written Notice of Dispute, the Party shall contact the other Party and raise the issue and the relief sought in an attempt to resolve the issue immediately.

10.3. In the event of a dispute, the disputing Party shall provide the other Party a written Notice of Dispute containing the relevant known facts pertaining to the dispute, the specific dispute and the relief sought, and express notice by the disputing Party that it is invoking the procedures under this article. The Interconnection Customer may utilize the Commission's Consumer Affairs Office's complaint/inquiry form and Informal Complaint dispute resolution process to assist with the written Notice of Dispute. The notice shall be sent to the non-disputing Party's email address and physical address set forth in the interconnection agreement or Interconnection Application, if there is no interconnection agreement. If the Interconnection Customer chooses not to utilize the Commission's Consumer Affairs Office dispute resolution process, the Interconnection Customer shall provide an informational electronic copy of the Notice of Dispute to the Consumer Affairs Office at the Commission at [consumer.puc@state.mn.us](mailto:consumer.puc@state.mn.us).

10.4. The non-disputing Party shall acknowledge the notice within three (3) Business Days of its receipt and identify a representative with the authority to make decisions for the non-disputing Party with respect to the dispute.

- 10.5. The non-disputing Party shall provide the disputing Party with relevant regulatory and/or technical details and analysis regarding the Area EPS Operator interconnection requirements under dispute within ten (10) Business Days of the date of the Notice of Dispute. Within twenty (20) Business Days of the date of the Notice of Dispute, the Parties' authorized representatives will be required to meet and confer to try to resolve the dispute. Parties shall operate in good faith and use best efforts to resolve the dispute.
- 10.6. If a resolution is not reached in the thirty (30) Business Days from the date of the notice described in section 10.3, the Parties may 1) if mutually agreed, continue negotiations for up to an additional twenty (20) Business Days; or 2) either Party may request the Commission's Consumer Affairs Office provide mediation in an attempt to resolve the dispute within twenty (20) Business Days with the opportunity to extend this timeline upon mutual agreement. Alternatively, both Parties by mutual agreement may request mediation from an outside third-party mediator with costs to be shared equally between the Parties.
- 10.7. If the results of the mediation are not accepted by one or more Parties and there is still disagreement, the dispute shall proceed to the Commission's Formal Complaint process as described in Minn. Rules 7829.1700-1900 unless mutually agreed to continue with informal dispute resolution.
- 10.8. At any time, either Party may file a complaint before the Commission pursuant to Minn. Stat. §216B.164, if applicable, and Commission rules outlined in Minn. Rules Ch. 7829.

## 11. Article 11. Taxes

- 11.1. The Parties agree to follow all applicable tax laws and regulations, consistent with Internal Revenue Service and any other relevant local, state and federal requirements.
- 11.2. Each Party shall cooperate with the other to maintain the other Party's tax status. It is incumbent on the Party seeking to maintain its tax status to provide formal written notice to the other Party detailing what exact cooperation it is seeking from the other Party well prior to any deadline by which any such action would need to be taken. Nothing in this Agreement is intended to adversely affect, if applicable, the Area EPS Operator's tax exempt status with respect to the issuance of bonds including, but not limited to, local furnishing bonds.

## 12. Article 12. Miscellaneous

### 12.1. Governing Law, Regulatory Authority, and Rules

The validity, interpretation and enforcement of this Agreement and each of its provisions shall be governed by the Minnesota Public Utilities Commission and the laws of the state of Minnesota, without regard to its conflicts of law principles. This Agreement is subject to all Applicable Laws and Regulations. Each Party expressly reserves the right to seek changes in, appeal, or otherwise contest any laws, orders, or regulations of a Governmental Authority.

### 12.2. Amendment

The Parties may amend this Agreement by a written instrument duly executed by both Parties under the process described below, or under article 12.12 of this Agreement.

If the Parties seek to amend this Agreement by a written instrument duly executed by both Parties, this amendment will need to receive Commission approval prior to it being effective. The Area EPS Operator and Interconnection Customer may seek Commission approval of an amendment to the Interconnection Agreement for use between them for a specific Interconnection Application in the following ways:

12.2.1. File a Petition with the Commission, or

12.2.2. File a Notice with the Commission of the proposed amendment. The Notice should include a copy of the amendment showing in redline format how the amendment would alter the MN DIA between the Area EPS Operator and Interconnection Customer for the Interconnection Application at issue. If no objection or notice of intent to object is filed within 30 days, then the proposed amendment would be considered to be approved by the Commission. If there is a timely filed objection of notice of intent to object, then the proposed amendment would not be considered to have been approved by the Commission and could only be used if the Commission subsequently issues a written order authorizing its use.

~~12.2.1.~~12.2.3. Commission approval of an amendment to the Interconnection Agreement is not needed where such an amendment only addresses updating or correcting: 1) information specified in the Interconnection Application; 2) exhibits or attachments to the Interconnection Agreement as long as they are not additional agreements or requirements not covered in the MN DIP or Minnesota Technical Requirements; or 3) information provided in the blank lines to the MN DIA or Uniform Statewide Contract forms.

### 12.3. No Third-Party Beneficiaries

This Agreement is not intended to and does not create rights, remedies, or benefits of any character whatsoever in favor of any persons, corporations, associations, or entities other than the Parties, and the obligations herein assumed are solely for the use and benefit of the Parties, their successors in interest and where permitted, their assigns.

12.4. Waiver

12.4.1. The failure of a Party to this Agreement to insist, on any occasion, upon strict performance of any provision of this Agreement will not be considered a waiver of any obligation, right, or duty of, or imposed upon, such Party.

12.4.2. Any waiver at any time by either Party of its rights with respect to this Agreement shall not be deemed a continuing waiver or a waiver with respect to any other failure to comply with any other obligation, right, duty of this Agreement. Termination or default of this Agreement for any reason by Interconnection Customer shall not constitute a waiver of the Interconnection Customer's legal rights to obtain an interconnection from the Area EPS Operator. Any waiver of this Agreement shall, if requested, be provided in writing.

12.5. Entire Agreement

This Agreement, including all Attachments, constitutes the entire agreement between the Parties with reference to the subject matter hereof, and supersedes all prior and contemporaneous understandings or agreements, oral or written, between the Parties with respect to the subject matter of this Agreement. There are no other agreements, representations, warranties, or covenants which constitute any part of the consideration for, or any condition to, either Party's compliance with its obligations under this Agreement. This Agreement can only be amended or modified in writing signed by both Parties.

12.6. Multiple Counterparts

This Agreement may be executed in two or more counterparts, each of which is deemed an ~~original~~original, but all constitute one and the same instrument. Electronic signatures are acceptable if the Area EPS Operator has made such a determination pursuant to MN DIP 1.2.1.1.

12.7. No Partnership

This Agreement shall not be interpreted or construed to create an association, joint venture, agency relationship, or partnership between the Parties or to impose any partnership obligation or partnership liability upon either Party. Neither Party shall have any right, power or authority to enter into any agreement or undertaking for, or act on behalf of, or to act as or be an agent or representative of, or to otherwise bind, the other Party.



12.8. Severability

If any provision or portion of this Agreement shall for any reason be held or adjudged to be invalid or illegal or unenforceable by any court of competent jurisdiction or other Governmental Authority, (1) such portion or provision shall be deemed separate and independent, (2) the Parties shall negotiate in good faith to restore insofar as practicable the benefits to each Party that were affected by such ruling, and (3) the remainder of this Agreement shall remain in full force and effect.

12.9. Security Arrangements

Infrastructure security of electric system equipment and operations and control hardware and software is essential to ensure day-to-day reliability and operational security. All public utilities are expected to meet basic standards for system infrastructure and operational security, including physical, operational, and cyber-security practices.

12.10. Environmental Releases

Each Party shall notify the other Party, first orally and then in writing, of the release of any hazardous substances, any asbestos or lead abatement activities, or any type of remediation activities related to the Distributed Energy Resource or the Interconnection Facilities, each of which may reasonably be expected to affect the other Party. The notifying Party shall (1) provide the notice as soon as practicable, provided such Party makes a good faith effort to provide the notice no later than 24 hours after such Party becomes aware of the occurrence, and (2) promptly furnish to the other Party copies of any publicly available reports filed with any governmental authorities addressing such events.

12.11. Subcontractors

Nothing in this Agreement shall prevent a Party from utilizing the services of any subcontractor as it deems appropriate to perform its obligations under this Agreement; provided, however, that each Party shall require its subcontractors to comply with all applicable terms and conditions of this Agreement in providing such services and each Party shall remain primarily liable to the other Party for the performance of such subcontractor.

12.11.1. The creation of any subcontract relationship shall not relieve the hiring Party of any of its obligations under this Agreement. The hiring Party shall be fully responsible to the other Party for the acts or omissions of any subcontractor the hiring Party hires as if no subcontract had been made; provided, however, that in no event shall the Area EPS Operator be liable for the actions or inactions of the Interconnection Customer or its subcontractors with respect to obligations of the Interconnection Customer

under this Agreement. Any applicable obligation imposed by this Agreement upon the hiring Party shall be equally binding upon, and shall be construed as having application to, any subcontractor of such Party.

12.11.2. The obligations under this article will not be limited in any way by any limitation of subcontractor's insurance.

12.12. Inclusion of Area EPS Operator Tariffs and Rules

The interconnection services provided under this Agreement shall at all times be subject to the terms and conditions set forth in the tariff schedules and rules applicable to the electric service provided by the Area EPS Operator, which tariff schedules and rules are hereby incorporated into this Agreement by this reference. Notwithstanding any other provisions of this Agreement, the Area EPS Operator shall have the right to unilaterally file with the Minnesota Public Utilities Commission pursuant to the Commission's rules and regulations, an application for change in rates, charges, classification, service, tariff, or rule or any agreement relating thereto. The Interconnection Customer shall also have the right to unilaterally file with the Commission, pursuant to the Commission's rules and regulations, an application for change in rates, charges, classification, service, tariff, or rule or any agreement relating thereto. Each Party shall ~~be~~ have the right to protest any such filing by the other Party and/or to participate fully in any proceeding before the Commission in which such modifications may be considered, pursuant to the Commission's rules and regulations.

## 13. Article 13. Notices

### 13.1. General

Unless otherwise provided in this Agreement, any written notice, demand, or request required or authorized in connection with this Agreement (“Notice”) shall be deemed properly given if delivered in person, delivered by recognized national courier service, or sent by first class mail, postage prepaid, to the person specified below:

If to the Interconnection Customer:

Interconnection Customer: \_\_\_\_\_

Attention: \_\_\_\_\_

Address: \_\_\_\_\_

City: \_\_\_\_\_ State: \_\_\_\_\_ Zip: \_\_\_\_\_

Phone: \_\_\_\_\_ Email: \_\_\_\_\_

If to the Area EPS Operator:

Area EPS Operator: Dakota Electric Association

Attention: Generation Interconnection Coordinator

Address: 4300 220<sup>th</sup> Street West

City: Farmington State: Minnesota Zip: 55024

Phone: 651 463-6212 Email: \_\_\_\_\_

### 13.2. Billing and Payment

Billings and payments shall be sent to the addresses set out below:

Interconnection Customer: \_\_\_\_\_

Attention: \_\_\_\_\_

Address: \_\_\_\_\_

City: \_\_\_\_\_ State: \_\_\_\_\_ Zip: \_\_\_\_\_

Area EPS Operator:  
Dakota Electric Association  
Attention: Generation Interconnection Coordinator  
Address: 4300 220<sup>th</sup> Street West  
Farmington, Minnesota 55024

13.3. Alternative Forms of Notice

Any notice or request required or permitted to be given by either Party to the other and not required by this Agreement to be given in writing may be so given by telephone or e-mail to the telephone numbers and e-mail addresses set out below:

If to the Interconnection Customer:

Interconnection Customer: \_\_\_\_\_  
Attention: \_\_\_\_\_  
Address: \_\_\_\_\_  
City: \_\_\_\_\_ State: \_\_\_\_\_ Zip: \_\_\_\_\_  
Phone: \_\_\_\_\_ Email: \_\_\_\_\_

If to the Area EPS Operator:

Area EPS Operator: Dakota Electric Association  
Attention: Generation Interconnection Coordinator  
Address: 4300 220<sup>th</sup> Street West  
City: Farmington State: Minnesota Zip: 55024  
Phone: 651 463-6212 Email: \_\_\_\_\_

13.4. Designated Operating Representative

The Parties may also designate operating representatives to conduct the communications which may be necessary or convenient for the administration of this Agreement. This person will also serve as the point of contact with respect to operations and maintenance of the Party's facilities.

Interconnection Customer's Operating Representative:

Interconnection Customer: \_\_\_\_\_

Attention: \_\_\_\_\_

Address: \_\_\_\_\_

City: \_\_\_\_\_ State: \_\_\_\_\_ Zip: \_\_\_\_\_

Phone: \_\_\_\_\_ Email: \_\_\_\_\_

Area EPS Operator's Operating Representative:

Area EPS Operator: Dakota Electric Association

Attention: Generation Interconnection Coordinator

Address: 4300 220<sup>th</sup> Street West

City: Farmington State: Minnesota Zip: 55024

Phone: 651 463-6212 Email: \_\_\_\_\_

13.5. Changes to the Notice Information

Either Party may change this information by giving five Business Days written notice to the other Party prior to the effective date of the change.

**14. Article 14. Signatures**

IN WITNESS WHEREOF, the Parties have caused this Agreement to be executed by their respective duly authorized representatives.

For the Area EPS Operator

Name: \_\_\_\_\_

Title: \_\_\_\_\_

Date: \_\_\_\_\_

For the Interconnection Customer

Name: \_\_\_\_\_

Title: \_\_\_\_\_

Date: \_\_\_\_\_

## Attachment 1: Glossary of Terms

**Affected System** – Another Area EPS Operator’s system, or Transmission Owner’s Transmission System, or Transmission System connected generation which may be affected by the proposed interconnection.

**Applicant Agent** – A person designated in writing by the Interconnection Customer to represent or provide information to the Area EPS on the Interconnection Customer’s behalf throughout the interconnection process.

**Area EPS** - The electric power distribution system connected at the Point of Common Coupling

**Area EPS Operator** – An entity that owns, controls, or operates the electric power distribution systems that are used for the provision of electric service in Minnesota.

**Business Day** – Monday through Friday, excluding Holidays as defined by [Minn. Stat. §645.44, Subd. 5](#). See MN DIP 5.2.1 for more on computation of time.

**Certified Equipment** - UL 1741 listing is a common form of DER inverter certification. See MN DIP Attachment 4: Certification Codes and Standards and Attachment 5: Certification of Distributed Energy Resource Equipment.

**Confidential Information** – See MN DIA Article 9.

**Distributed Energy Resource (DER)** – A source of electric power that is not directly connected to a bulk power system. DER includes both generators and energy storage technologies capable of exporting active power to an EPS. An interconnection system or a supplemental DER device that is necessary for compliance with this standard is part of a DER. For the purpose of the MN DIP and MN DIA, the DER includes the Customer’s Interconnection Facilities but shall not include the Area EPS Operator’s Interconnection Facilities

**Distribution System** – The Area EPS facilities which are not part of the Local EPS, Transmission System or any generation system.

**Distribution Upgrades** – The additions, modifications, and upgrades to the Distribution System at or beyond the Point of Common Coupling to facilitate interconnection of the DER and render the distribution service necessary to effect the Interconnection Customer’s connection to the Distribution System. Distribution Upgrades do not include Interconnection Facilities.

**Effective Date** – Agreement(s) shall become effective upon execution by the Parties.

**Electric Power System (EPS)** – The facilities that deliver electric power to a load.

**Emergency Conditions** - a condition or situation: (1) that in the judgment of the Party making the claim is imminently likely to endanger life or property; or (2) that, in the case of the Area EPS Operator, is imminently likely (as determined in a non-discriminatory manner) to cause a material adverse effect on the security of, or damage to the Distribution System, the Area EPS Operator's Interconnection Facilities or the Distribution Systems of others to which the Distribution System is directly connected; or (3) that, in the case of the Interconnection Customer, is imminently likely (as determined in a non-discriminatory manner) to cause a material adverse effect on the security of, or damage to, the Distributed Energy Resource or the Interconnection Customer's Interconnection Facilities.

**Fast Track Process** – The procedure as described in MN DIP Section 3 for evaluating an Interconnection Application for a Distributed Energy Resource that meets the eligibility requirements of MN DIP section 3.1

**Force Majeure Event** – An act of God, labor disturbance, act of the public enemy, war, insurrection, riot, fire, storm or flood, explosion, breakage or accident to machinery or equipment, an order, regulation or restriction imposed by governmental, military or lawfully established civilian authorities, or an other cause beyond a Party's control. A Force Majeure Event does not include an act of negligence or intentional wrongdoing.

**Good Utility Practice** – Any of the practices, methods and acts engaged in or approved by a significant portion of the electric industry during the relevant time period, or any of the practices, methods and act which, in the exercise of reasonable judgment in light of the facts known at the time the decision was made, could have been expected to accomplish the desired result at a reasonable cost consistent with good business practices, reliability, safety and expedition. Good Utility Practice is not intended to be limited to the optimum practice, method, or act to the exclusion of all others, but rather to be acceptable practices, methods, or acts generally accepted in the region.

**Governmental Authority** – Any federal, state, local or other governmental regulatory or administrative agency, court, commission, department, board, or other governmental subdivision, legislature, rulemaking board, tribunal, or other governmental authority having jurisdiction over the Parties, their respective facilities, or the respective services they provide, and exercising or entitled to exercise any administrative, executive, police, or taxing authority or power; provided, however, that such term does not include the Interconnection Customer, the Area EPS Operator, or any Affiliate thereof. The Minnesota Public Utilities Commission is the authority governing interconnection requirements unless otherwise provided for in the Minnesota Technical Requirements.

**Interconnection Agreement** – The terms and conditions between the Area EPS Operator and Interconnection Customer (Parties). See MN DIP Section 1.1.5 for when the Uniform Statewide Contract or MN DIA applies.



**Interconnection Application** – The Interconnection Customer’s request to interconnect a new or modified, as described in MN DIP Section 1.6, Distributed Energy Resource. See MN DIP Attachment 2 Simplified Application Form and MN DIP Attachment 3 Interconnection Application Form.

**Interconnection Customer** – The person or entity, including the Area EPS Operator, whom will be the owner of the DER that proposes to interconnect a DER(s) with the Area EPS Operator’s Distribution System. The Interconnection Customer is responsible for ensuring the Distributed Energy Resource(s) is designed, operated and maintained in compliance with the Minnesota Technical Requirements.

**Interconnection Facilities** – The Area EPS Operator’s Interconnection Facilities and the Interconnection Customer’s Interconnection Facilities. Collectively, Interconnection Facilities include all facilities and equipment between the Distributed Energy Resource and Customer Interconnection System and the Point of Common Coupling, including any modification, additions or upgrades that are necessary to physically and electrically interconnect the Distributed Energy Resource to the Area EPS Operator’s System. Some examples of Customer Interconnection Facilities include: supplemental DER devices, inverters, and associated wiring and cables up to the Point of DER Connection. Some examples of Area EPS Operator Interconnection Facilities include sole use facilities; such as, line extensions, controls, relays, switches, breakers, transformers and shall not include Distribution Upgrades or Network Upgrades.

**Material Modification** – A modification to machine data, equipment configuration or to the interconnection site of the DER at any time after receiving notification by the Area EPS Operator of a complete Interconnection Application that has a material impact on the cost, timing, or design of any Interconnection Facilities or Upgrades, or a material impact on the cost, timing or design of any Interconnection Application with a later Queue Position or the safety or reliability of the Area EPS.<sup>1</sup>

---

<sup>1</sup> A Material Modification shall include, but may not be limited to, a modification from the approved Interconnection Application that: (1) changes the physical location of the point of common coupling; such that it is likely to have an impact on technical review; (2) increases the nameplate rating or output characteristics of the Distributed Energy Resource; (3) changes or replaces generating equipment, such as generator(s), inverter(s), transformers, relaying, controls, etc., and substitutes equipment that is not like-kind substitution in certification, size, ratings, impedances, efficiencies or capabilities of the equipment; (4) changes transformer connection(s) or grounding; and/or (5) changes to a certified inverter with different specifications or different inverter control settings or configuration. A Material Modification shall not include a modification from the approved Interconnection Application that: (1) changes the ownership of a Distributed Energy Resource; (2) changes the address of the Distributed Energy Resource, so long as the physical point of common coupling remains the same; (3) changes or replaces generating equipment such as generator(s), inverter(s), solar panel(s), transformers, relaying, controls, etc. and substitutes equipment that is a like-kind substitution in certification, size, ratings, impedances, efficiencies or capabilities of the equipment; and/or (4) increases the DC/AC ratio but does not increase the maximum AC output capability of the Distributed Energy Resource.

**MN DIA** - The Minnesota Distributed Energy Resource Interconnection Agreement. See MN DIP Section 1.1.5 for when the Uniform Statewide Contract or MN DIA applies.

**MN DIP** – The Minnesota Distributed Energy Resource Interconnection Process outline the statewide interconnection standards.

**MN Technical Requirements** – The term including all of the DER technical interconnection requirement documents for the state of Minnesota; including: 1) Attachment 2 Distributed Generation Interconnection Requirements established in the Commission’s September 28, 2004 Order in E-999/CI-01-1023) until superseded and upon Commission approval of updated Minnesota DER Technical Interconnection and Interoperability Requirements in E-999/CI-16-521 (anticipated February 2019.)

**Nameplate Rating:** nominal voltage (V), current (A), maximum active power (kWac), apparent power (kVA), and reactive power (kvar) at which a DER is capable of sustained operation. For a Local EPS with multiple DER units, the aggregate nameplate rating is equal to the sum of all DERs nameplate rating in the Local EPS, not including aggregate capacity limiting mechanisms such as coincidence factors, plant controller limits, etc. that may be applicable for specific cases. (Aggregate Nameplate Rating). The nameplate ratings referenced in the MN DIP are alternating current nameplate DER ratings See MN DIP Section 5.14 on Capacity of the Distributed Energy Resource.

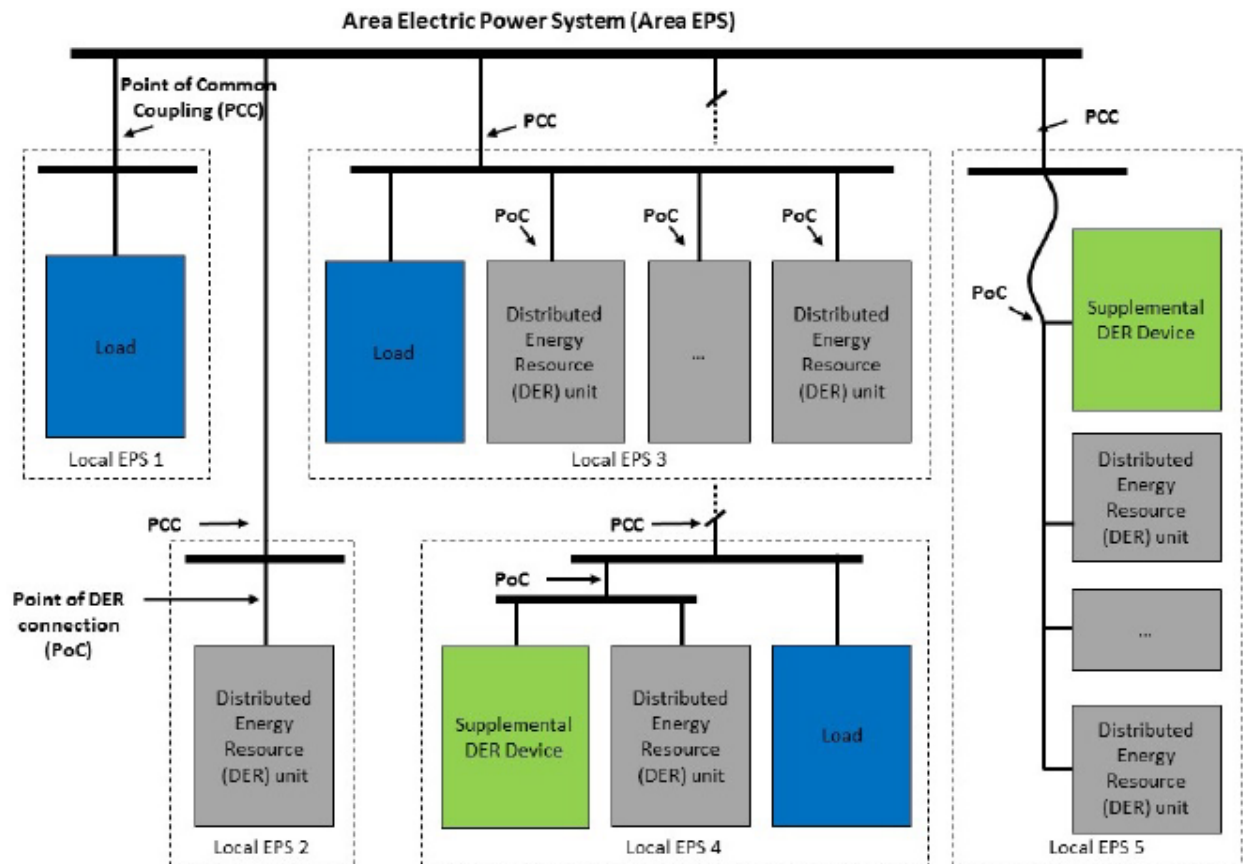
**Network Upgrades** – Additions, modifications, and upgrades to the Transmission System required at or beyond the point at which the DER interconnects with the Area EPS Operator’s System to accommodate the interconnection with the DER to the Area EPS Operator’s System. Network Upgrades do not include Distribution Upgrades.

**Notice of Dispute** – The disputing Party shall provide the other Party this written notice containing the relevant known facts pertaining to the dispute, the specific dispute and the relief sought, and express notice by the disputing Party that it is invoking the procedures under MN DIP 5.3.

**Operating Requirements** – Any operating and technical requirements that may be applicable due to the Transmission Provider’s technical requirements or Minnesota Technical Requirements, including those set forth in this Agreement.

**Party or Parties** – The Area EPS Operator and the Interconnection Customer.

**Point of Common Coupling (PCC)**– The point where the Interconnection Facilities connect with the Area EPS Operator’s Distribution System. See figure 1. Equivalent, in most cases, to “service point” as specified by the Area EPS Operator and described in the National Electrical Code and the National Electrical Safety Code.



**Figure 1: Point of Common Coupling and Point of DER Connection**

(Source: IEEE 1547)

**Point of DER Connection (PoC)** – When identified as the Reference Point of Applicability, the point where an individual DER is electrically connected in a Local EPS and meets the requirements of this standard exclusive of any load present in the respective part of the Local EPS (e.g. terminals of the inverter when no supplemental DER device is required.) For DER Unit(s) that are not self-sufficient to meet the requirements without (a) supplemental DER device(s), the point of DER connection is the point where the requirements of this standard are met by DER in conjunction with (a) supplemental DER device(s) exclusive of any load present in the respective part of the Local EPS.

**Queue Position** – The order of a valid Interconnection Application, relative to all other pending valid Interconnection Applications, that is established based upon the date- and time- of receipt of the complete Interconnection Application as described in MN DIP sections 1.5.2 and 1.8.

**Reasonable Efforts** – With respect to an action required to be attempted or taken by a Party under these procedures, efforts that are timely and consistent with Good Utility Practice and are otherwise substantially equivalent to those a Party would use to protect its own interests.

**Reference Point of Applicability** – The location, either the Point of Common Coupling or the Point of DER Connection, where the interconnection and interoperability performance requirements specified in IEEE 1547 apply. With mutual agreement, the Area EPS Operator and Customer may determine a point between the Point of Common Coupling and Point of DER Connection. See Minnesota DER Technical Interconnection and Interoperability Requirements for more information.

**Simplified Process** – The procedure for evaluating an Interconnection Application for a certified inverter-based DER no larger than 20 kW that uses the screens described in MN DIP section 3.2. The Simplified ~~P~~rocess includes simplified procedures. MN DIP Attachment 2 Simplified Application Form includes a brief set of terms and conditions and the option for an Interconnection Agreement described in MN DIP 1.1.5. See MN DIP Section 2 Simplified Process.

**Study Process** – The procedure for evaluating an Interconnection Application that includes the MN DIP Section 4 scoping meeting, system impact study, and facilities study.

**Tariff** – The Area EPS Operator’s Tariff filed in compliance with the Minnesota Distributed Energy Resource Interconnection Procedures (MN DIP) and approved by the Minnesota Public Utilities Commission (MPUC or Commission).

**Transmission Owner** – The entity that owns, leases or otherwise possesses an interest in the portion of the Transmission System relevant to the Interconnection.

**Transmission Provider** – The entity (or its designated agent) that owns, leases, controls, or operates transmission facilities used for the transmission of electricity. The term Transmission Provider includes the Transmission Owner when the Transmission Owner is separate from the Transmission Provider. The Transmission Provider may include the Independent System Operator or Regional Transmission Operator.

**Transmission System** – The facilities owned, leased, controlled or operated by the Transmission Provider or the Transmission Owner that are used to provide transmission service. See the Commission’s July 26, 2000 Order Adopting Boundary Guidelines for Distinguishing Transmission from Generation and Distribution Assets in Docket No. E-999/CI-99/1261.

**Uniform Statewide Contract** – State of Minnesota’s standard, uniform contract that must be applied to all qualifying new and existing interconnections between a utility and DER having capacity less than 40 kilowatts if interconnecting with a cooperative or municipal utility and 1,000 kilowatts if interconnecting with a public utility. ([Minn. Rules 7835.9910](#))

**Upgrades** – The required additions and modifications to the Area EPS Operator’s Transmission or Distribution System at or beyond the Point of Interconnection. Upgrades may be Network Upgrades or Distribution Upgrades. Upgrades do not include Interconnection Facilities.

## Attachment 2: Description and Costs of the Distributed Energy Resource, Interconnection Facilities, and Metering Equipment

Equipment, including the Distributed Energy Resource, Interconnection Facilities, and metering equipment shall be itemized and identified as being owned by the Interconnection Customer or the Area EPS Operator. The Area EPS Operator will provide a good faith estimate itemized cost, including administrative overheads, of its Interconnection Facilities and metering equipment, and a good faith estimate itemized cost of the annual operation and maintenance expenses associated with its Interconnection Facilities and metering equipment. The Area EPS shall inform the Interconnection Customer of the option to either pay the metering costs upfront or through a monthly metering fee and provide the customer a copy of the tariff with the metering fee pursuant to MN DIP 5.4.

Attachment 3: One-line Diagram Depicting the Distributed Energy Resource, Interconnection Facilities, Metering Equipment, and Upgrades

## Attachment 4: Milestones

The Milestone in line (1) below may be a calendar date. All other dates in this Attachment 4 may be number of Business Days from the calendar date in line (1) or from the completion of a different Milestone described in a specified line number. Similarly, the anticipated In-Service Date may be based on the number of Business Days from the completion of a specified line number.

In-Service Date: \_\_\_\_\_

Critical milestones and responsibility as agreed to by the Parties:

	<b>Milestone/Anticipated Date</b>	<b>Responsible Party</b>
(1)	_____	_____
(2)	_____	_____
(3)	_____	_____
(4)	_____	_____
(5)	_____	_____
(6)	_____	_____
(7)	_____	_____
(8)	_____	_____
(9)	_____	_____
(10)	_____	_____

Agreed to by:

For the Area EPS Operator \_\_\_\_\_ Date \_\_\_\_\_

For the Transmission Owner (If Applicable) \_\_\_\_\_ Date \_\_\_\_\_

For the Interconnection Customer \_\_\_\_\_ Date \_\_\_\_\_

## Attachment 5: Additional Operating and Maintenance Requirements for the Area EPS Operator's Distribution System and Affected Systems Needed to Support the Interconnection Customer's Needs

The Area EPS Operator shall also provide requirements that must be met by the Interconnection Customer prior to initiating parallel operation with the Area EPS Operator's Distribution System. Additional operating and maintenance requirements for an Affected System needed to support the Interconnection Customer's needs may be addressed in a separate agreement as described in Article 5.3.



## Attachment 6: Area EPS Operator's Description of Distribution and Network Upgrades and Good Faith Estimates of Upgrade Costs

The Area EPS Operator shall describe Distribution and Network Upgrades and provide an itemized good faith estimate of the costs, including administrative overheads, of the Upgrades and annual operation and maintenance expenses associated with such Upgrades. The Area EPS Operator shall functionalize Upgrade costs and annual expenses as either transmission or distribution related. Additional Distribution or Network Upgrades required for an Affected System may be addressed in a separate agreement as described in Article 5.3.

# **Minnesota Distributed Energy Resource Interconnection Agreement (MN DIA)**

(Adopted for use by Dakota Electric Association from the Minnesota Distributed Energy  
Resource Interconnection Agreement MN DIA)

V. 2.2

11/8/2018

## Table of Contents

ARTICLE 1. SCOPE AND LIMITATIONS OF AGREEMENT .....	4
ARTICLE 2. INSPECTION, TESTING, AUTHORIZATION, AND RIGHT OF ACCESS.....	7
ARTICLE 3. EFFECTIVE DATE, TERM, TERMINATION, AND DISCONNECTION .....	8
ARTICLE 4. COST RESPONSIBILITY FOR INTERCONNECTION FACILITIES AND DISTRIBUTION UPGRADES.....	10
ARTICLE 5. COST RESPONSIBILITY FOR NETWORK UPGRADES.....	11
ARTICLE 6. BILLING, PAYMENT, MILESTONES, AND FINANCIAL SECURITY.....	13
ARTICLE 7. ASSIGNMENT, LIABILITY, NON-WARRANTY, INDEMNITY, FORCE MAJEURE, CONSEQUENTIAL DAMAGES, AND DEFAULT .....	14
ARTICLE 8. INSURANCE .....	17
ARTICLE 9. CONFIDENTIALITY .....	18
ARTICLE 10. DISPUTES.....	19
ARTICLE 11. TAXES .....	20
ARTICLE 12. MISCELLANEOUS.....	21
ARTICLE 13. NOTICES .....	25
ATTACHMENT 1: GLOSSARY OF TERMS.....	29
ATTACHMENT 2: DESCRIPTION AND COSTS OF THE DISTRIBUTED ENERGY RESOURCE, INTERCONNECTION FACILITIES, AND METERING EQUIPMENT .....	35
ATTACHMENT 3: ONE-LINE DIAGRAM DEPICTING THE DISTRIBUTED ENERGY RESOURCE, INTERCONNECTION FACILITIES, METERING EQUIPMENT, AND UPGRADES .....	36
ATTACHMENT 4: MILESTONES.....	37
ATTACHMENT 5: ADDITIONAL OPERATING AND MAINTENANCE REQUIREMENTS FOR THE AREA EPS OPERATOR’S DISTRIBUTION SYSTEM AND AFFECTED SYSTEMS NEEDED TO SUPPORT THE INTERCONNECTION CUSTOMER’S NEEDS.....	38
ATTACHMENT 6: AREA EPS OPERATOR’S DESCRIPTION OF DISTRIBUTION AND NETWORK UPGRADES AND GOOD FAITH ESTIMATES OF UPGRADE COSTS.....	39

This Interconnection Agreement (“Agreement”) is made and entered into this \_\_\_\_\_ day of \_\_\_\_\_, 20\_\_, by **Dakota Electric Association** (“Area EPS Operator”), and \_\_\_\_\_ (“Interconnection Customer”) each hereinafter sometimes referred to individually as “Party” or both referred to collectively as the “Parties.”

Area EPS Operator Information:

Area EPS Operator: Dakota Electric Association  
Attention: Generation Interconnection Coordinator  
Address: 4300 220<sup>th</sup> St West  
City: Farmington State: Minnesota Zip: 55024  
Phone: \_\_\_\_\_ Email: \_\_\_\_\_

Interconnection Customer Information:

Interconnection Customer: \_\_\_\_\_  
Attention: \_\_\_\_\_  
Address: \_\_\_\_\_  
City: \_\_\_\_\_ State: \_\_\_\_\_ Zip: \_\_\_\_\_  
Phone: \_\_\_\_\_ Email: \_\_\_\_\_

Interconnection Customer Application No: \_\_\_\_\_

Distributed Energy Resource Information (To be completed by the Area EPS Operator)

Type of DER System (e.g.Solar, Wind, CHP, Solar+Storage):\_\_\_\_\_

Nameplate Rating \_\_\_\_\_(ac)

DER capacity (as described in MN DIP 5.14.3)) \_\_\_\_\_(ac)

Address of DER system:\_\_\_\_\_

City:\_\_\_\_\_ State: MN Zipcode: \_\_\_\_\_

In consideration of the mutual covenants set forth herein, the Parties agree as follows:

## 1. Article 1. Scope and Limitations of Agreement

- 1.1. This Agreement is intended to provide for the Interconnection Customer to interconnect at the Point of Common Coupling and operate a Distributed Energy Resource with a Nameplate Rating of 10 Megawatts (MW) or less in parallel with the Area EPS at the location identified above and in the Interconnection Application.
- 1.2. This Agreement shall be used for all Interconnection Applications submitted under the Minnesota Distributed Energy Resources Interconnection Process (MN DIP) except for those submitted and processed under the Simplified Process contained in MN DIP Section 2 or qualify and chooses under MN DIP Section 1.1.5 for the Uniform Statewide Contract to replace the need for this Agreement.
- 1.3. This Agreement governs the terms and conditions under which the Interconnection Customer's Distributed Energy Resource will interconnect with, and operate in parallel with, the Area EPS Operator's Distribution System.
- 1.4. Capitalized terms used herein shall have the meanings specified in the Glossary of Terms in Attachment 1, the MN DIP, or the body of this Agreement.
- 1.5. This Agreement does not constitute an agreement to purchase or deliver the Interconnection Customer's power. The purchase or delivery of power and other services that the Interconnection Customer may require will be covered under separate agreements, if any. The Interconnection Customer will be responsible for separately making all necessary arrangements (including scheduling) for delivery of electricity with the applicable Area EPS Operator.
- 1.6. Nothing in this Agreement is intended to affect any other agreement between the Area EPS Operator and the Interconnection Customer.

## 1.7. Responsibilities of the Parties

- 1.7.1. The Parties shall perform all obligations of this Agreement in accordance with the MN DIP, Minnesota Technical Requirements, all Applicable Laws and Regulations, Operating Requirements, and Good Utility Practice.
- 1.7.2. The Interconnection Customer shall construct, interconnect, operate and maintain its Distributed Energy Resource and construct, operate, and maintain its Interconnection Facilities in accordance with the applicable manufacturer's recommended maintenance schedule and, in accordance with this Agreement, and with Good Utility Practice.
- 1.7.3. The Area EPS Operator shall construct, operate, and maintain its Distribution System and its Interconnection Facilities in accordance with this Agreement, and with Good Utility Practice.
- 1.7.4. The Interconnection Customer agrees to construct its facilities or systems in accordance with the Minnesota Technical Requirements and this Agreement; including, applicable specifications that meet or exceed those provided by the National Electrical Safety Code, the American National Standards Institute, IEEE, Underwriter's Laboratory, and Operating Requirements in effect at the time of construction and other applicable national and state codes and standards. The Interconnection Customer agrees to design, install, maintain, and operate its Distributed Energy Resource so as to reasonably minimize the likelihood of a disturbance adversely affecting or impairing the system or equipment of the Area EPS Operator and any Affected Systems.
- 1.7.5. Each Party shall operate, maintain, repair, and inspect, and shall be fully responsible for the facilities that it now owns or subsequently owns unless otherwise specified in the Attachments to this Agreement. Each Party shall be responsible for the safe installation, maintenance, repair and condition of their respective lines and appurtenances on their respective sides of the point of common coupling. The Area EPS Operator and the Interconnection Customer, as appropriate, shall provide Interconnection Facilities that adequately protect the Area EPS Operator's Distribution System, personnel, and other persons from damage and injury. The allocation of responsibility for the design, installation, operation, maintenance and ownership of Interconnection Facilities shall be delineated in the Attachments to this Agreement.
- 1.7.6. The Area EPS Operator shall coordinate with all Affected Systems to support the interconnection.

### 1.8. Parallel Operation Obligations

Once the Distributed Energy Resource has been authorized to commence parallel operation, the Interconnection Customer shall abide by all rules and procedures pertaining to the parallel operation of the Distributed Energy Resource in the applicable control area, including, but not limited to; 1) the rules and procedures concerning the operation of generation set forth in the Tariff or by the applicable system operator(s) for the Area EPS Operator's Distribution System provided or referenced in an attachment to this Agreement and; 2) the Operating Requirements set forth in Attachment 5 of this Agreement. The Minnesota Technical Requirements for interconnection are covered in a separate document, a copy of which has been made available to the Interconnection Customer and incorporated and made part of this Agreement by this reference.

### 1.9. Metering

As described in MN DIP 5.4, the Interconnection Customer shall be responsible for the Area EPS Operator's reasonable and necessary cost for the purchase, installation, operation, maintenance, testing, repair, and replacement of metering and data acquisition equipment specified in Attachments 2 and 3 of this Agreement. The Interconnection Customer's metering (and data acquisition, as required) equipment shall conform to applicable industry rules and Operating Requirements.

### 1.10. Distributed Energy Resource Capabilities and Grid Reliability

- 1.10.1. The Minnesota Technical Requirements outlines the Parties responsibilities consistent with IEEE 1547 Standard for Interconnection and Interoperability of Distributed Energy Resources with Associated Electric Power Systems Interfaces which provides requirements relevant to the interconnection and interoperability performance, operation and testing, and, to safety, maintenance and security considerations.
- 1.10.2. The Area EPS Operator may offer the Interconnection Customer the option to utilize required DER capabilities to mitigate Interconnection Customer costs related to Upgrades or Interconnection Facilities to address anticipated system impacts from the engineering review (i.e. Initial Review, Supplemental Review, or Study Process described in the MN DIP.)

## 2. Article 2. Inspection, Testing, Authorization, and Right of Access

### 2.1. Equipment Testing and Inspection

As described in MN DIP Section 5.7, the Interconnection Customer shall test and inspect its Distributed Energy Resource and Interconnection Facilities prior to interconnection pursuant to Minnesota Technical Requirements and this Agreement.

### 2.2. Authorization Required Prior to Parallel Operation

As described in MN DIP Section 5.8, the Area EPS Operator shall use Reasonable Efforts to list applicable parallel operation requirements by attaching the Minnesota Technical Requirements and/or including them in Attachment 5 to this Agreement. Additionally, the Area EPS Operator shall notify the Interconnection Customer of any changes to these requirements as soon as they are known. Pursuant to the MN DIP 5.8.2, the Interconnection Customer shall not operate its Distributed Energy Resource in parallel with the Area EPS Operator's Distribution System without prior written authorization of the Area EPS Operator.

### 2.3. Right of Access

2.3.1. Upon reasonable notice, the Area EPS Operator may send a qualified person to the premises of the Interconnection Customer at or immediately before the time the Distributed Energy Resource first produces energy to inspect the interconnection, and observe the commissioning of the Distributed Energy Resource (including any required testing), startup, and operation for a period of up to three Business Days after initial start-up of the unit. In addition, the Interconnection Customer shall notify the Area EPS Operator at least five Business Days prior to conducting any on-site verification testing of the Distributed Energy Resource.

2.3.2. Following the initial inspection process described above, at reasonable hours, and upon reasonable notice, or at any time without notice in the event of an emergency or hazardous condition, the Area EPS Operator shall have access to the Interconnection Customer's premises for any reasonable purpose in connection with the performance of the obligations imposed on it by this Agreement or if necessary to meet its legal obligation to provide service to its customers.

2.3.3. Each Party shall be responsible for its costs associated with following this article as outlined in MN DIP Section 5.7.2 and the Minnesota Technical Requirements.



### 3. Article 3. Effective Date, Term, Termination, and Disconnection

#### 3.1. Effective Date

This Agreement shall become effective upon execution by the Parties.

#### 3.2. Term of Agreement

This Agreement shall become effective on the Effective Date and shall remain in effect from the Effective Date unless terminated earlier in accordance with article 3.3 of this Agreement.

#### 3.3. Termination

No termination shall become effective until the Parties have complied with all Applicable Laws and Regulations applicable to such termination.

3.3.1. The Interconnection Customer may terminate this Agreement at any time by giving the Area EPS Operator 20 Business Days written notice.

3.3.2. Either Party may terminate this Agreement after Default pursuant to article 7.7.

3.3.3. Upon termination of this Agreement, the Distributed Energy Resource will be disconnected from the Area EPS Operator's Distribution System. All costs required to effectuate such disconnection shall be borne by the terminating Party, unless such termination resulted from the non-terminating Party's Default of this MN DIA or such non-terminating Party otherwise is responsible for these costs under this MN DIA.

3.3.4. The termination of this Agreement shall not relieve either Party of its liabilities and obligations, owed or continuing at the time of the termination.

3.3.5. The provisions of this article shall survive termination or expiration of this Agreement.

#### 3.4. Temporary Disconnection

Temporary disconnection shall continue only for so long as reasonably necessary under Good Utility Practice.

##### 3.4.1. Emergency Conditions

Under Emergency Conditions, the Area EPS Operator may immediately suspend interconnection service and temporarily disconnect the Distributed Energy Resource. The Area EPS Operator shall use Reasonable Efforts to notify the Interconnection Customer promptly when it becomes aware of an Emergency Condition that may reasonably be expected to affect the Interconnection Customer's operation of the Distributed Energy Resource. The Interconnection

Customer shall use Reasonable Efforts to notify the Area EPS Operator promptly when it becomes aware of an Emergency Condition that may reasonably be expected to affect the Area EPS Operator's Distribution System or any Affected Systems. To the extent information is known, the notification shall describe the Emergency Condition, the extent of the damage or deficiency, the expected effect on the operation of both Parties' facilities and operations, its anticipated duration, and the necessary corrective action.

3.4.2. Routine Maintenance, Construction, and Repair

The Area EPS Operator may interrupt interconnection service or curtail the output of the Distributed Energy Resource and temporarily disconnect the Distributed Energy Resource from the Area EPS Operator's Distribution System when necessary for routine maintenance, construction, or repairs on the Area EPS Operator's Distribution System. The Area EPS Operator shall use Reasonable Efforts to provide the Interconnection Customer with three Business Days notice prior to such interruption. The Area EPS Operator shall use Reasonable Efforts to coordinate such reduction or temporary disconnection with the Interconnection Customer.

3.4.3. Forced Outage

During any forced outage, the Area EPS Operator may suspend interconnection service to effect immediate repairs on the Area EPS Operator's Distribution System. The Area EPS Operator shall use Reasonable Efforts to provide the Interconnection Customer with prior notice. If prior notice is not given, the Area EPS Operator shall, upon request, provide the Interconnection Customer written documentation after the fact explaining the circumstances of the disconnection.

3.4.4. Adverse Operating Effects

The Area EPS Operator shall notify the Interconnection Customer as soon as practicable if, based on Good Utility Practice, operation of the Distributed Energy Resource may cause disruption or deterioration of service to other customers served from the same electric system, or if operating the Distributed Energy Resource could cause damage to the Area EPS Operator's Distribution System or Affected Systems. Supporting documentation used to reach the decision to disconnect shall be provided to the Interconnection Customer upon request. If, after notice, the Interconnection Customer fails to remedy the adverse operating effect within a reasonable time, the Area EPS Operator may disconnect the Distributed Energy Resource. The Area EPS Operator shall provide the Interconnection Customer with five Business Day notice of such disconnection, unless the provisions of article 3.4.1 apply.

3.4.5. Modification of the Distributed Energy Resource

The Interconnection Customer must receive written authorization from the Area EPS Operator before making any change to the Distributed Energy Resource that may have a material impact on the safety or reliability of the Distribution System. Such authorization shall not be unreasonably withheld if the modification is not a Material Modification. Material Modifications, including an increase nameplate rating or capacity, may require the Interconnection Customer to submit a new Interconnection Application as described in MN DIP Section 1.6.2. If the Interconnection Customer makes such modification without the Area EPS Operator's prior written authorization, the latter shall have the right to temporarily disconnect the Distributed Energy Resource.

3.4.6. Reconnection

The Parties shall cooperate with each other to restore the Distributed Energy Resource, Interconnection Facilities, and the Area EPS Operator's Distribution System to their normal operating state as soon as reasonably practicable following a temporary disconnection.

3.4.7. Treatment Similar to Other Retail Customers

If the Interconnection Customer receives retail electrical service at the same site as the Distributed Energy Resource, it may also be disconnected consistent with the rules and practices for disconnecting other retail electrical customers.

3.4.8. Disconnection for Default

If the Interconnection Customer is in Default it may be disconnected after a 60 day written notice is provided and the Default is not cured during this 60 day notice. This provision does not apply to disconnection based upon Emergency Conditions.

## 4. Article 4. Cost Responsibility for Interconnection Facilities and Distribution Upgrades

### 4.1. Interconnection Facilities

- 4.1.1. The Interconnection Customer shall pay for the cost of the Interconnection Facilities itemized in Attachment 2 of this Agreement. The Area EPS Operator shall provide a good faith estimate cost, including overheads, for the purchase and construction of its Interconnection Facilities and provide a detailed itemization of such costs. Costs associated with Interconnection Facilities may be shared with

other entities that may benefit from such facilities by agreement of the Interconnection Customer, such other entities, and the Area EPS Operator.

- 4.1.2. The Interconnection Customer shall be responsible for its share of all reasonable expenses, including overheads, associated with (1) owning, operating, maintaining, repairing, and replacing its own Interconnection Facilities, and (2) operating, maintaining, repairing, and replacing the Area EPS Operator's Interconnection Facilities.

#### 4.2. Distribution Upgrades

The Area EPS Operator shall design, procure, construct, install, and own the Distribution Upgrades described in Attachment 6 of this Agreement. The Area EPS Operator shall provide a good faith estimate cost, including overheads, for the purchase and construction of the Distribution Upgrades and provide a detailed itemization of such costs. If the Area EPS Operator and the Interconnection Customer agree, the Interconnection Customer may construct Distribution Upgrades that are located on land owned by the Interconnection Customer. The actual cost of the Distribution Upgrades, including overheads, shall be directly assigned to the Interconnection Customer.

## 5. Article 5. Cost Responsibility for Network Upgrades

### 5.1. Applicability

No portion of this Article 5 shall apply unless the interconnection of the Distributed Energy Resource requires Network Upgrades.

### 5.2. Network Upgrades

The Area EPS Operator or the Transmission Owner shall design, procure, construct, install, and own the Network Upgrades described in Attachment 6 of this Agreement. The Area EPS Operator shall provide a good faith estimate cost, including overheads, for the purchase and construction of the Network Upgrades and provide a detailed itemization of such costs. If the Area EPS Operator and the Interconnection Customer agree, the Interconnection Customer may construct Network Upgrades that are located on land owned by the Interconnection Customer. Unless the Area EPS Operator elects to pay for Network Upgrades, the actual cost of the Network Upgrades, including overheads, shall be borne initially by the Interconnection Customer.

#### 5.2.1. Repayment of Amounts Advanced for Network Upgrades

The Interconnection Customer shall be entitled to a cash repayment, equal to the total amount paid to the Area EPS Operator and Affected System operator, if any, for Network Upgrades, including any tax gross-up or other tax-related payments associated with the Network Upgrades, and not otherwise refunded to the

Interconnection Customer, to be paid to the Interconnection Customer on a dollar-for-dollar basis for the non-usage sensitive portion of transmission charges, as payments are made under the Area EPS Operator's Tariff and Affected System's Tariff for transmission services with respect to the Distributed Energy Resource. Any repayment shall include interest calculated in accordance with the methodology set forth in FERC's regulations at 18 C.F.R. § 35.19a(a)(2)(iii) from the date of any payment for Network Upgrades through the date on which the Interconnection Customer receives a repayment of such payment pursuant to this subparagraph. The Interconnection Customer may assign such repayment rights to any person.

5.2.1.1. Notwithstanding the foregoing, the Interconnection Customer, the Area EPS Operator, and any applicable Affected System operators may adopt any alternative payment schedule that is mutually agreeable so long as the Area EPS Operator and said Affected System operators take one of the following actions no later than five years from the Commercial Operation Date: (1) return to the Interconnection Customer any amounts advanced for Network Upgrades not previously repaid, or (2) declare in writing that the Area EPS Operator or any applicable Affected System operators will continue to provide payments to the Interconnection Customer on a dollar-for-dollar basis for the non-usage sensitive portion of transmission charges, or develop an alternative schedule that is mutually agreeable and provides for the return of all amounts advanced for Network Upgrades not previously repaid; however, full reimbursement shall not extend beyond 20 years from the commercial operation date.

5.2.1.2. If the Distributed Energy Resource fails to achieve commercial operation, but it or another Distributed Energy Resource is later constructed and requires use of the Network Upgrades within five (5) years of being constructed, the Area EPS Operator and Affected System operator (after receiving payment in the amount of the cost to build these Network Upgrades from the other Distributed Energy Resource who is expected to use the Network Upgrades, shall at that time reimburse the Interconnection Customer for the amounts advanced for the Network Upgrades. Before any such reimbursement can occur, the Interconnection Customer, or the entity that ultimately constructs the Distributed Energy Resource, if different, is responsible for identifying the entity to which reimbursement must be made.

### 5.3. Special Provisions for Affected Systems

Unless the Area EPS Operator provides, under this Agreement, for the repayment of amounts advanced to any applicable Affected System operators for Network Upgrades, the Interconnection Customer and Affected System operator shall enter into an agreement that provides for such repayment. The agreement shall specify the terms

governing payments to be made by the Interconnection Customer to Affected System operator as well as the repayment by Affected System operator.

#### 5.4. Rights Under Other Agreements

Notwithstanding any other provision of this Agreement, nothing herein shall be construed as relinquishing or foreclosing any rights, including but not limited to firm transmission rights, capacity rights, transmission congestion rights, or transmission credits, that the Interconnection Customer shall be entitled to, now or in the future, under any other agreement or tariff as a result of, or otherwise associated with, the transmission capacity, if any, created by the Network Upgrades, including the right to obtain cash reimbursements or transmission credits for transmission service that is not associated with the Distributed Energy Resource.

## 6. Article 6. Billing, Payment, Milestones, and Financial Security

### 6.1. Billing and Payment Procedures and Final Accounting

- 6.1.1. The Area EPS Operator shall bill the Interconnection Customer for the design, engineering, construction, and procurement costs of Interconnection Facilities and Upgrades contemplated by this Agreement, and the Interconnection Customer shall pay each bill, pursuant to the MN DIP 5.6.5, or as otherwise agreed to by the Parties.
- 6.1.2. Within 80 Business Days (approximately 4 calendar months) of completing the construction and installation of the Area EPS Operator's Interconnection Facilities and/or Upgrades described in the Attachments to this Agreement, the Area EPS Operator shall provide the Interconnection Customer with a final accounting report, as described in the MN DIP 5.6.6.

### 6.2. Milestones

Pursuant to the MN DIP 4.4.5, 5.6.2 and 5.6.3, the Parties shall agree on milestones for which each Party is responsible and list them in Attachment 4 of this Agreement.

### 6.3. Financial Security Arrangements

Pursuant to the MN DIP 5.6.4, the Interconnection Customer shall provide the Area EPS Operator, at the Interconnection Customer's option, a guarantee, letter of credit or other form of security that is reasonably acceptable to the Area EPS Operator and is consistent with the Minnesota Uniform Commercial Code. Such security for payment shall be in an amount sufficient to cover the costs for constructing, designing, procuring, and installing the applicable portion of the Area EPS Operator's Interconnection Facilities and

Upgrades and shall be reduced on a dollar-for-dollar basis for payments made to the Area EPS Operator under this Agreement during its term. In addition:

- 6.3.1. The guarantee must be made by an entity that meets the creditworthiness requirements of the Area EPS Operator and contain terms and conditions that guarantee payment of any amount that may be due from the Interconnection Customer, up to an agreed-to maximum amount.
- 6.3.2. The letter of credit must be issued by a financial institution or insurer reasonably acceptable to the Area EPS Operator and must specify a reasonable expiration date not sooner than sixty (60) Business Days (three calendar months) after the due date for the issuance of the final bill.

## 7. Article 7. Assignment, Liability, Non-Warranty, Indemnity, Force Majeure, Consequential Damages, and Default

### 7.1. Assignment

This Agreement may be assigned by either Party upon 15 Business Days prior written notice and opportunity to object by the other Party; provided that:

- 7.1.1. Either Party may assign this Agreement without the consent of the other Party to any affiliate of the assigning Party with an equal or greater credit rating and with the legal authority and operational ability to satisfy the obligations of the assigning Party under this Agreement, provided that the Interconnection Customer promptly notifies the Area EPS Operator of any such assignment;
- 7.1.2. The Interconnection Customer shall have the right to assign this Agreement, without the consent of the Area EPS Operator, for collateral security purposes to aid in providing financing for the Distributed Energy Resource, provided that the Interconnection Customer will promptly notify the Area EPS Operator of any such assignment.
- 7.1.3. Any attempted assignment that violates this article is void and ineffective. Assignment shall not relieve a Party of its obligations, nor shall a Party's obligations be enlarged, in whole or in part, by reason thereof. An assignee is responsible for meeting the same financial, credit, and insurance obligations as the Interconnection Customer. Where required, consent to assignment will not be unreasonably withheld, conditioned or delayed.

## 7.2. Limitation of Liability

Each Party's liability to the other Party for any loss, cost, claim, injury, liability, or expense, including reasonable attorney's fees, relating to or arising from any act or omission in its performance of this Agreement, shall be limited to the amount of direct damage actually incurred. In no event shall either Party be liable to the other Party for any indirect, special, consequential, or punitive damages, except as authorized by this Agreement.

## 7.3. Non-Warranty

The Area EPS Operator does not give any warranty, expressed or implied, as to the adequacy, safety, or other characteristics of any structures, equipment, wires, appliances or devices owned, installed or maintained by the Interconnection Customer, including without limitation the Distributed Energy Resource and any structures, equipment, wires, appliances or devices not owned, operated or maintained by the Area EPS Operator.

## 7.4. Indemnity

- 7.4.1. This provision protects each Party from liability incurred to third parties as a result of carrying out the provisions of this Agreement. Liability under this provision is exempt from the general limitations on liability found in article 7.2.
- 7.4.2. The Parties shall at all times indemnify, defend, and hold the other Party harmless from, any and all damages, losses, claims, including claims and actions relating to injury to or death of any person or damage to property, demand, suits, recoveries, costs and expenses, court costs, attorney fees, and all other obligations by or to third parties, arising out of or resulting from the other Party's action or failure to meet its obligations under this Agreement on behalf of the indemnifying Party, except in cases of gross negligence or intentional wrongdoing by the indemnified Party.
- 7.4.3. This indemnification obligation shall apply notwithstanding any negligent or intentional acts, errors or omissions of the Indemnified Party, but the Indemnifying Party's liability to indemnify the Indemnified Party shall be reduced in proportion to the percentage by which the Indemnified Party's negligent or intentional acts, errors or omissions caused the damage.
- 7.4.4. Neither Party shall be indemnified for its damages resulting from its sole negligence, intentional acts or willful misconduct. These indemnity provisions shall not be construed to relieve any insurer of its obligation to pay claims consistent with the provisions of a valid insurance policy.
- 7.4.5. If an indemnified person is entitled to indemnification under this article as a result of a claim by a third party, and the indemnifying Party fails, after notice and reasonable opportunity to proceed under this article, to assume the defense of



such claim, such indemnified person may at the expense of the indemnifying Party contest, settle or consent to the entry of any judgment with respect to, or pay in full, such claim.

7.4.6. If an indemnifying party is obligated to indemnify and hold any indemnified person harmless under this article, the amount owing to the indemnified person shall be the amount of such indemnified person's actual loss, net of any insurance or other recovery.

7.4.7. Promptly after receipt by an indemnified person of any claim or notice of the commencement of any action or administrative or legal proceeding or investigation as to which the indemnity provided for in this article may apply, the indemnified person shall notify the indemnifying party of such fact. Any failure of or delay in such notification shall not affect a Party's indemnification obligation unless such failure or delay is materially prejudicial to the indemnifying party.

#### 7.5. Consequential Damages

Other than as expressly provided for in this Agreement, neither Party shall be liable under any provision of this Agreement for any losses, damages, costs or expenses for any special, indirect, incidental, consequential, or punitive damages, including but not limited to loss of profit or revenue, loss of the use of equipment, cost of capital, cost of temporary equipment or services, whether based in whole or in part in contract, in tort, including negligence, strict liability, or any other theory of liability; provided, however, that damages for which a Party may be liable to the other Party under another agreement will not be considered to be special, indirect, incidental, or consequential damages hereunder.

#### 7.6. Force Majeure

If a Force Majeure Event prevents a Party from fulfilling any obligations under this Agreement, the Party affected by the Force Majeure Event (Affected Party) shall promptly notify the other Party, either in writing or via the telephone, of the existence of the Force Majeure Event. The notification must specify in reasonable detail the circumstances of the Force Majeure Event, its expected duration, and the steps that the Affected Party is taking to mitigate the effects of the event on its performance. The Affected Party shall keep the other Party informed on a continuing basis of developments relating to the Force Majeure Event until the event ends. The Affected Party will be entitled to suspend or modify its performance of obligations under this Agreement (other than the obligation to make payments) only to the extent that the effect of the Force Majeure Event cannot be mitigated by the use of Reasonable Efforts. The Affected Party will use Reasonable Efforts to resume its performance as soon as possible.

## 7.7. Default

- 7.7.1. No Default shall exist where such failure to discharge an obligation (other than the payment of money) is the result of a Force Majeure Event as defined in this Agreement or the result of an act or omission of the other Party. Upon a Default, the non-defaulting Party shall give written notice of such Default to the defaulting Party. Except as provided in article 7.6.2, the defaulting Party shall have 60 calendar days from receipt of the Default notice within which to cure such Default; provided however, if such Default is not capable of cure within 60 calendar days, the defaulting Party shall commence such cure within 20 calendar days after notice and continuously and diligently complete such cure within six months from receipt of the Default notice; and, if cured within such time, the Default specified in such notice shall cease to exist.
- 7.7.2. If a Default is not cured as provided in this article, or if a Default is not capable of being cured within the period provided for herein, the non-defaulting Party shall have the right to terminate this Agreement by written notice at any time until cure occurs, and be relieved of any further obligation hereunder and, whether or not that Party terminates this Agreement, to recover from the defaulting Party all amounts due hereunder, plus all other damages and remedies to which it is entitled at law or in equity. The provisions of this article will survive termination of this Agreement.

## 8. Article 8. Insurance

- 8.1. An Area EPS Operator may only require an Interconnection Customer to purchase insurance covering damages pursuant to the MN DIP 5.10.
- 8.2. The Area EPS Operator agrees to maintain general liability insurance or self-insurance consistent with the Area EPS Operator's commercial practice. Such insurance or self-insurance shall not exclude coverage for the Area EPS Operator's liabilities undertaken pursuant to this Agreement.
- 8.3. The Parties further agree to notify each other whenever an accident or incident occurs resulting in any injuries or damages that are included within the scope of coverage of such insurance, whether or not such coverage is sought.
- 8.4. Failure of the Interconnection Customer or Area EPS Operator to enforce the minimum levels of insurance does not relieve the Interconnection Customer from maintaining such levels of insurance or relieve the Interconnection Customer of any liability.

## 9. Article 9. Confidentiality

- 9.1. Confidential Information shall mean any confidential and/or proprietary information provided by one Party to the other Party that is clearly marked or otherwise designated “Confidential.” For purposes of this Agreement, design, operating specifications, and metering data provided by the Interconnection Customer may be deemed Confidential Information regardless of whether it is clearly marked or otherwise designated as such. If requested by either Party, the other Party shall provide in writing the basis for asserting that the information warrants confidential treatment. Parties providing a Governmental Authority trade secret, privileged or otherwise not public or nonpublic data under the Minnesota Government Data Practices Act, Minnesota Statutes Chapter 13, shall identify such data consistent with the Commission’s September 1, 1999 Revised Procedures for Handling Trade Secret and Privileged Data, available online at: <https://mn.gov/puc/puc-documents/#4>
- 9.2. Confidential Information does not include information previously in the public domain with proper authorization, required to be publicly submitted or divulged by Governmental Authorities (after notice to the other Party and after exhausting any opportunity to oppose such publication or release), or necessary to be publicly divulged in an action to enforce this Agreement. Each Party receiving Confidential Information shall hold such information in confidence and shall not disclose it to any third party nor to the public without the prior written authorization from the Party providing that information, except to fulfill obligations under this Agreement, or to fulfill legal or regulatory requirements that could not otherwise be fulfilled by not making the information public.
- 9.2.1. Each Party shall hold in confidence and shall not disclose Confidential Information, to any person (except employees, officers, representatives and agents, who agree to be bound by this section). Confidential Information shall be clearly marked as such on each page or otherwise affirmatively identified. If a court, government agency or entity with the right, power, and authority to do so, requests or requires either Party, by subpoena, oral disposition, interrogatories, requests for production of documents, administrative order, or otherwise, to disclose Confidential Information, that Party shall provide the other Party with prompt notice of such request(s) or requirements(s) so that the other Party may seek an appropriate protective order or waive compliance with the terms of this Agreement. In the absence of a protective order or waiver the Party shall disclose such confidential information which, in the opinion of its counsel, the party is legally compelled to disclose. Each Party will use reasonable efforts to obtain reliable assurance that confidential treatment will be accorded any confidential information so furnished.

- 9.2.2. Critical infrastructure information or information that is deemed or otherwise designated by a Party as Critical Energy/Electric Infrastructure Information (CEII) pursuant to FERC regulation, [18 C.F.R. §388.133](#), as may be amended from time to time, may be subject to further protections for disclosure as required by FERC or FERC regulations or orders and the disclosing Party's CEII policies.
- 9.2.3. Each Party shall employ at least the same standard of care to protect Confidential Information obtained from the other Party as it employs to protect its own Confidential Information.
- 9.2.4. Each Party is entitled to equitable relief, by injunction or otherwise, to enforce its rights under this provision to prevent the release of Confidential Information without bond or proof of damages and may seek other remedies available at law or in equity for breach of this provision.

## 10. Article 10. Disputes

- 10.1. The Parties agree to attempt to resolve all disputes arising out of the interconnection process and associated study and interconnection agreements according to the provisions of this article and Minnesota Administrative Rules 7829.1500-7829.1900. More information on the Commission's Consumer Affairs Office dispute resolution services is available on the Commission's website:  
<https://mn.gov/puc/consumers/help/complaint/>
- 10.2. Prior to a written Notice of Dispute, the Party shall contact the other Party and raise the issue and the relief sought in an attempt to resolve the issue immediately.
- 10.3. In the event of a dispute, the disputing Party shall provide the other Party a written Notice of Dispute containing the relevant known facts pertaining to the dispute, the specific dispute and the relief sought, and express notice by the disputing Party that it is invoking the procedures under this article. The Interconnection Customer may utilize the Commission's Consumer Affairs Office's complaint/inquiry form and Informal Complaint dispute resolution process to assist with the written Notice of Dispute. The notice shall be sent to the non-disputing Party's email address and physical address set forth in the interconnection agreement or Interconnection Application, if there is no interconnection agreement. If the Interconnection Customer chooses not to utilize the Commission's Consumer Affairs Office dispute resolution process, the Interconnection Customer shall provide an informational electronic copy of the Notice of Dispute to the Consumer Affairs Office at the Commission at [consumer.puc@state.mn.us](mailto:consumer.puc@state.mn.us).
- 10.4. The non-disputing Party shall acknowledge the notice within three (3) Business Days of its receipt and identify a representative with the authority to make decisions for the non-disputing Party with respect to the dispute.

- 10.5. The non-disputing Party shall provide the disputing Party with relevant regulatory and/or technical details and analysis regarding the Area EPS Operator interconnection requirements under dispute within ten (10) Business Days of the date of the Notice of Dispute. Within twenty (20) Business Days of the date of the Notice of Dispute, the Parties' authorized representatives will be required to meet and confer to try to resolve the dispute. Parties shall operate in good faith and use best efforts to resolve the dispute.
- 10.6. If a resolution is not reached in the thirty (30) Business Days from the date of the notice described in section 10.3, the Parties may 1) if mutually agreed, continue negotiations for up to an additional twenty (20) Business Days; or 2) either Party may request the Commission's Consumer Affairs Office provide mediation in an attempt to resolve the dispute within twenty (20) Business Days with the opportunity to extend this timeline upon mutual agreement. Alternatively, both Parties by mutual agreement may request mediation from an outside third-party mediator with costs to be shared equally between the Parties.
- 10.7. If the results of the mediation are not accepted by one or more Parties and there is still disagreement, the dispute shall proceed to the Commission's Formal Complaint process as described in Minn. Rules 7829.1700-1900 unless mutually agreed to continue with informal dispute resolution.
- 10.8. At any time, either Party may file a complaint before the Commission pursuant to Minn. Stat. §216B.164, if applicable, and Commission rules outlined in Minn. Rules Ch. 7829.

## 11. Article 11. Taxes

- 11.1. The Parties agree to follow all applicable tax laws and regulations, consistent with Internal Revenue Service and any other relevant local, state and federal requirements.
- 11.2. Each Party shall cooperate with the other to maintain the other Party's tax status. It is incumbent on the Party seeking to maintain its tax status to provide formal written notice to the other Party detailing what exact cooperation it is seeking from the other Party well prior to any deadline by which any such action would need to be taken. Nothing in this Agreement is intended to adversely affect, if applicable, the Area EPS Operator's tax exempt status with respect to the issuance of bonds including, but not limited to, local furnishing bonds.

## 12. Article 12. Miscellaneous

### 12.1. Governing Law, Regulatory Authority, and Rules

The validity, interpretation and enforcement of this Agreement and each of its provisions shall be governed by the Minnesota Public Utilities Commission and the laws of the state of Minnesota, without regard to its conflicts of law principles. This Agreement is subject to all Applicable Laws and Regulations. Each Party expressly reserves the right to seek changes in, appeal, or otherwise contest any laws, orders, or regulations of a Governmental Authority.

### 12.2. Amendment

The Parties may amend this Agreement by a written instrument duly executed by both Parties under the process described below, or under article 12.12 of this Agreement.

If the Parties seek to amend this Agreement by a written instrument duly executed by both Parties, this amendment will need to receive Commission approval prior to it being effective. The Area EPS Operator and Interconnection Customer may seek Commission approval of an amendment to the Interconnection Agreement for use between them for a specific Interconnection Application in the following ways:

12.2.1. File a Petition with the Commission, or

12.2.2. File a Notice with the Commission of the proposed amendment. The Notice should include a copy of the amendment showing in redline format how the amendment would alter the MN DIA between the Area EPS Operator and Interconnection Customer for the Interconnection Application at issue. If no objection or notice of intent to object is filed within 30 days, then the proposed amendment would be considered to be approved by the Commission. If there is a timely filed objection of notice of intent to object, then the proposed amendment would not be considered to have been approved by the Commission and could only be used if the Commission subsequently issues a written order authorizing its use.

12.2.3. Commission approval of an amendment to the Interconnection Agreement is not needed where such an amendment only addresses updating or correcting: 1) information specified in the Interconnection Application; 2) exhibits or attachments to the Interconnection Agreement as long as they are not additional agreements or requirements not covered in the MN DIP or Minnesota Technical Requirements; or 3) information provided in the blank lines to the MN DIA or Uniform Statewide Contract forms.

### 12.3. No Third-Party Beneficiaries

This Agreement is not intended to and does not create rights, remedies, or benefits of any character whatsoever in favor of any persons, corporations, associations, or entities other than the Parties, and the obligations herein assumed are solely for the use and benefit of the Parties, their successors in interest and where permitted, their assigns.

12.4. Waiver

12.4.1. The failure of a Party to this Agreement to insist, on any occasion, upon strict performance of any provision of this Agreement will not be considered a waiver of any obligation, right, or duty of, or imposed upon, such Party.

12.4.2. Any waiver at any time by either Party of its rights with respect to this Agreement shall not be deemed a continuing waiver or a waiver with respect to any other failure to comply with any other obligation, right, duty of this Agreement. Termination or default of this Agreement for any reason by Interconnection Customer shall not constitute a waiver of the Interconnection Customer's legal rights to obtain an interconnection from the Area EPS Operator. Any waiver of this Agreement shall, if requested, be provided in writing.

12.5. Entire Agreement

This Agreement, including all Attachments, constitutes the entire agreement between the Parties with reference to the subject matter hereof, and supersedes all prior and contemporaneous understandings or agreements, oral or written, between the Parties with respect to the subject matter of this Agreement. There are no other agreements, representations, warranties, or covenants which constitute any part of the consideration for, or any condition to, either Party's compliance with its obligations under this Agreement. This Agreement can only be amended or modified in writing signed by both Parties.

12.6. Multiple Counterparts

This Agreement may be executed in two or more counterparts, each of which is deemed an original, but all constitute one and the same instrument. Electronic signatures are acceptable if the Area EPS Operator has made such a determination pursuant to MN DIP 1.2.1.1.

12.7. No Partnership

This Agreement shall not be interpreted or construed to create an association, joint venture, agency relationship, or partnership between the Parties or to impose any partnership obligation or partnership liability upon either Party. Neither Party shall have any right, power or authority to enter into any agreement or undertaking for, or act on behalf of, or to act as or be an agent or representative of, or to otherwise bind, the other Party.

12.8. Severability

If any provision or portion of this Agreement shall for any reason be held or adjudged to be invalid or illegal or unenforceable by any court of competent jurisdiction or other Governmental Authority, (1) such portion or provision shall be deemed separate and independent, (2) the Parties shall negotiate in good faith to restore insofar as practicable the benefits to each Party that were affected by such ruling, and (3) the remainder of this Agreement shall remain in full force and effect.

12.9. Security Arrangements

Infrastructure security of electric system equipment and operations and control hardware and software is essential to ensure day-to-day reliability and operational security. All public utilities are expected to meet basic standards for system infrastructure and operational security, including physical, operational, and cyber-security practices.

12.10. Environmental Releases

Each Party shall notify the other Party, first orally and then in writing, of the release of any hazardous substances, any asbestos or lead abatement activities, or any type of remediation activities related to the Distributed Energy Resource or the Interconnection Facilities, each of which may reasonably be expected to affect the other Party. The notifying Party shall (1) provide the notice as soon as practicable, provided such Party makes a good faith effort to provide the notice no later than 24 hours after such Party becomes aware of the occurrence, and (2) promptly furnish to the other Party copies of any publicly available reports filed with any governmental authorities addressing such events.

12.11. Subcontractors

Nothing in this Agreement shall prevent a Party from utilizing the services of any subcontractor as it deems appropriate to perform its obligations under this Agreement; provided, however, that each Party shall require its subcontractors to comply with all applicable terms and conditions of this Agreement in providing such services and each Party shall remain primarily liable to the other Party for the performance of such subcontractor.

12.11.1. The creation of any subcontract relationship shall not relieve the hiring Party of any of its obligations under this Agreement. The hiring Party shall be fully responsible to the other Party for the acts or omissions of any subcontractor the hiring Party hires as if no subcontract had been made; provided, however, that in no event shall the Area EPS Operator be liable for the actions or inactions of the Interconnection Customer or its subcontractors with respect to obligations of the Interconnection Customer



under this Agreement. Any applicable obligation imposed by this Agreement upon the hiring Party shall be equally binding upon, and shall be construed as having application to, any subcontractor of such Party.

12.11.2. The obligations under this article will not be limited in any way by any limitation of subcontractor's insurance.

12.12. Inclusion of Area EPS Operator Tariffs and Rules

The interconnection services provided under this Agreement shall at all times be subject to the terms and conditions set forth in the tariff schedules and rules applicable to the electric service provided by the Area EPS Operator, which tariff schedules and rules are hereby incorporated into this Agreement by this reference. Notwithstanding any other provisions of this Agreement, the Area EPS Operator shall have the right to unilaterally file with the Minnesota Public Utilities Commission pursuant to the Commission's rules and regulations, an application for change in rates, charges, classification, service, tariff, or rule or any agreement relating thereto. The Interconnection Customer shall also have the right to unilaterally file with the Commission, pursuant to the Commission's rules and regulations, an application for change in rates, charges, classification, service, tariff, or rule or any agreement relating thereto. Each Party shall have the right to protest any such filing by the other Party and/or to participate fully in any proceeding before the Commission in which such modifications may be considered, pursuant to the Commission's rules and regulations.

13. Article 13. Notices

13.1. General

Unless otherwise provided in this Agreement, any written notice, demand, or request required or authorized in connection with this Agreement (“Notice”) shall be deemed properly given if delivered in person, delivered by recognized national courier service, or sent by first class mail, postage prepaid, to the person specified below:

If to the Interconnection Customer:

Interconnection Customer: \_\_\_\_\_

Attention: \_\_\_\_\_

Address: \_\_\_\_\_

City: \_\_\_\_\_ State: \_\_\_\_\_ Zip: \_\_\_\_\_

Phone: \_\_\_\_\_ Email: \_\_\_\_\_

If to the Area EPS Operator:

Area EPS Operator: Dakota Electric Association

Attention: Generation Interconnection Coordinator

Address: 4300 220<sup>th</sup> Street West

City: Farmington State: Minnesota Zip: 55024

Phone: 651 463-6212

13.2. Billing and Payment

Billings and payments shall be sent to the addresses set out below:

Interconnection Customer: \_\_\_\_\_

Attention: \_\_\_\_\_

Address: \_\_\_\_\_

City: \_\_\_\_\_ State: \_\_\_\_\_ Zip: \_\_\_\_\_

Area EPS Operator:

Dakota Electric Association

Attention: Generation Interconnection Coordinator

Address: 4300 220<sup>th</sup> Street West

Farmington, Minnesota 55024

13.3. Alternative Forms of Notice

Any notice or request required or permitted to be given by either Party to the other and not required by this Agreement to be given in writing may be so given by telephone or email to the telephone numbers and e-mail addresses set out below:

If to the Interconnection Customer:

Interconnection Customer: \_\_\_\_\_

Attention: \_\_\_\_\_

Address: \_\_\_\_\_

City: \_\_\_\_\_ State: \_\_\_\_\_ Zip: \_\_\_\_\_

Phone: \_\_\_\_\_ Email: \_\_\_\_\_

If to the Area EPS Operator:

Area EPS Operator: Dakota Electric Association

Attention: Generation Interconnection Coordinator

Address: 4300 220<sup>th</sup> Street West

City: Farmington State: Minnesota Zip: 55024

Phone: 651 463-6212 Email: \_\_\_\_\_

13.4. Designated Operating Representative

The Parties may also designate operating representatives to conduct the communications which may be necessary or convenient for the administration of this Agreement. This person will also serve as the point of contact with respect to operations and maintenance of the Party's facilities.

Interconnection Customer's Operating Representative:

Interconnection Customer: \_\_\_\_\_

Attention: \_\_\_\_\_

Address: \_\_\_\_\_

City: \_\_\_\_\_ State: \_\_\_\_\_ Zip: \_\_\_\_\_

Phone: \_\_\_\_\_ Email: \_\_\_\_\_

Area EPS Operator's Operating Representative:

Area EPS Operator: Dakota Electric Association

Attention: Generation Interconnection Coordinator

Address: 4300 220<sup>th</sup> Street West

City: Farmington State: Minnesota Zip: 55024

Phone: 651 463-6212 Email: \_\_\_\_\_

13.5. Changes to the Notice Information

Either Party may change this information by giving five Business Days written notice to the other Party prior to the effective date of the change.

**14. Article 14. Signatures**

IN WITNESS WHEREOF, the Parties have caused this Agreement to be executed by their respective duly authorized representatives.

For the Area EPS Operator

Name: \_\_\_\_\_

Title: \_\_\_\_\_

Date: \_\_\_\_\_

For the Interconnection Customer

Name: \_\_\_\_\_

Title: \_\_\_\_\_

Date: \_\_\_\_\_

## Attachment 1: Glossary of Terms

**Affected System** – Another Area EPS Operator’s system, or Transmission Owner’s Transmission System, or Transmission System connected generation which may be affected by the proposed interconnection.

**Applicant Agent** – A person designated in writing by the Interconnection Customer to represent or provide information to the Area EPS on the Interconnection Customer’s behalf throughout the interconnection process.

**Area EPS** - The electric power distribution system connected at the Point of Common Coupling

**Area EPS Operator** – An entity that owns, controls, or operates the electric power distribution systems that are used for the provision of electric service in Minnesota.

**Business Day** – Monday through Friday, excluding Holidays as defined by [Minn. Stat. §645.44, Subd. 5](#). See MN DIP 5.2.1 for more on computation of time.

**Certified Equipment** - UL 1741 listing is a common form of DER inverter certification. See MN DIP Attachment 4: Certification Codes and Standards and Attachment 5: Certification of Distributed Energy Resource Equipment.

**Confidential Information** – See MN DIA Article 9.

**Distributed Energy Resource (DER)** – A source of electric power that is not directly connected to a bulk power system. DER includes both generators and energy storage technologies capable of exporting active power to an EPS. An interconnection system or a supplemental DER device that is necessary for compliance with this standard is part of a DER. For the purpose of the MN DIP and MN DIA, the DER includes the Customer’s Interconnection Facilities but shall not include the Area EPS Operator’s Interconnection Facilities

**Distribution System** – The Area EPS facilities which are not part of the Local EPS, Transmission System or any generation system.

**Distribution Upgrades** – The additions, modifications, and upgrades to the Distribution System at or beyond the Point of Common Coupling to facilitate interconnection of the DER and render the distribution service necessary to effect the Interconnection Customer’s connection to the Distribution System. Distribution Upgrades do not include Interconnection Facilities.

**Effective Date** – Agreement(s) shall become effective upon execution by the Parties.

**Electric Power System (EPS)** – The facilities that deliver electric power to a load.

**Emergency Conditions** - a condition or situation: (1) that in the judgment of the Party making the claim is imminently likely to endanger life or property; or (2) that, in the case of the Area EPS Operator, is imminently likely (as determined in a non-discriminatory manner) to cause a material adverse effect on the security of, or damage to the Distribution System, the Area EPS Operator's Interconnection Facilities or the Distribution Systems of others to which the Distribution System is directly connected; or (3) that, in the case of the Interconnection Customer, is imminently likely (as determined in a non-discriminatory manner) to cause a material adverse effect on the security of, or damage to, the Distributed Energy Resource or the Interconnection Customer's Interconnection Facilities.

**Fast Track Process** – The procedure as described in MN DIP Section 3 for evaluating an Interconnection Application for a Distributed Energy Resource that meets the eligibility requirements of MN DIP section 3.1

**Force Majeure Event** – An act of God, labor disturbance, act of the public enemy, war, insurrection, riot, fire, storm or flood, explosion, breakage or accident to machinery or equipment, an order, regulation or restriction imposed by governmental, military or lawfully established civilian authorities, or an other cause beyond a Party's control. A Force Majeure Event does not include an act of negligence or intentional wrongdoing.

**Good Utility Practice** – Any of the practices, methods and acts engaged in or approved by a significant portion of the electric industry during the relevant time period, or any of the practices, methods and act which, in the exercise of reasonable judgment in light of the facts known at the time the decision was made, could have been expected to accomplish the desired result at a reasonable cost consistent with good business practices, reliability, safety and expedition. Good Utility Practice is not intended to be limited to the optimum practice, method, or act to the exclusion of all others, but rather to be acceptable practices, methods, or acts generally accepted in the region.

**Governmental Authority** – Any federal, state, local or other governmental regulatory or administrative agency, court, commission, department, board, or other governmental subdivision, legislature, rulemaking board, tribunal, or other governmental authority having jurisdiction over the Parties, their respective facilities, or the respective services they provide, and exercising or entitled to exercise any administrative, executive, police, or taxing authority or power; provided, however, that such term does not include the Interconnection Customer, the Area EPS Operator, or any Affiliate thereof. The Minnesota Public Utilities Commission is the authority governing interconnection requirements unless otherwise provided for in the Minnesota Technical Requirements.

**Interconnection Agreement** – The terms and conditions between the Area EPS Operator and Interconnection Customer (Parties). See MN DIP Section 1.1.5 for when the Uniform Statewide Contract or MN DIA applies.

**Interconnection Application** – The Interconnection Customer’s request to interconnect a new or modified, as described in MN DIP Section 1.6, Distributed Energy Resource. See MN DIP Attachment 2 Simplified Application Form and MN DIP Attachment 3 Interconnection Application Form.

**Interconnection Customer** – The person or entity, including the Area EPS Operator, whom will be the owner of the DER that proposes to interconnect a DER(s) with the Area EPS Operator’s Distribution System. The Interconnection Customer is responsible for ensuring the Distributed Energy Resource(s) is designed, operated and maintained in compliance with the Minnesota Technical Requirements.

**Interconnection Facilities** – The Area EPS Operator’s Interconnection Facilities and the Interconnection Customer’s Interconnection Facilities. Collectively, Interconnection Facilities include all facilities and equipment between the Distributed Energy Resource and Customer Interconnection System and the Point of Common Coupling, including any modification, additions or upgrades that are necessary to physically and electrically interconnect the Distributed Energy Resource to the Area EPS Operator’s System. Some examples of Customer Interconnection Facilities include: supplemental DER devices, inverters, and associated wiring and cables up to the Point of DER Connection. Some examples of Area EPS Operator Interconnection Facilities include sole use facilities; such as, line extensions, controls, relays, switches, breakers, transformers and shall not include Distribution Upgrades or Network Upgrades.

**Material Modification** – A modification to machine data, equipment configuration or to the interconnection site of the DER at any time after receiving notification by the Area EPS Operator of a complete Interconnection Application that has a material impact on the cost, timing, or design of any Interconnection Facilities or Upgrades, or a material impact on the cost, timing or design of any Interconnection Application with a later Queue Position or the safety or reliability of the Area EPS.<sup>1</sup>

---

<sup>1</sup> A Material Modification shall include, but may not be limited to, a modification from the approved Interconnection Application that: (1) changes the physical location of the point of common coupling; such that it is likely to have an impact on technical review; (2) increases the nameplate rating or output characteristics of the Distributed Energy Resource; (3) changes or replaces generating equipment, such as generator(s), inverter(s), transformers, relaying, controls, etc., and substitutes equipment that is not like-kind substitution in certification, size, ratings, impedances, efficiencies or capabilities of the equipment; (4) changes transformer connection(s) or grounding; and/or (5) changes to a certified inverter with different specifications or different inverter control settings or configuration. A Material Modification shall not include a modification from the approved Interconnection Application that: (1) changes the ownership of a Distributed Energy Resource; (2) changes the address of the Distributed Energy Resource, so long as the physical point of common coupling remains the same; (3) changes or replaces generating equipment such as generator(s), inverter(s), solar panel(s), transformers, relaying, controls, etc. and substitutes equipment that is a like-kind substitution in certification, size, ratings, impedances, efficiencies or capabilities of the equipment; and/or (4) increases the DC/AC ratio but does not increase the maximum AC output capability of the Distributed Energy Resource.



**MN DIA** - The Minnesota Distributed Energy Resource Interconnection Agreement. See MN DIP Section 1.1.5 for when the Uniform Statewide Contract or MN DIA applies.

**MN DIP** – The Minnesota Distributed Energy Resource Interconnection Process outline the statewide interconnection standards.

**MN Technical Requirements** – The term including all of the DER technical interconnection requirement documents for the state of Minnesota; including: 1) Attachment 2 Distributed Generation Interconnection Requirements established in the Commission’s September 28, 2004 Order in E-999/CI-01-1023) until superseded and upon Commission approval of updated Minnesota DER Technical Interconnection and Interoperability Requirements in E-999/CI-16-521 (anticipated February 2019.)

**Nameplate Rating:** nominal voltage (V), current (A), maximum active power (kWac), apparent power (kVA), and reactive power (kvar) at which a DER is capable of sustained operation. For a Local EPS with multiple DER units, the aggregate nameplate rating is equal to the sum of all DERs nameplate rating in the Local EPS, not including aggregate capacity limiting mechanisms such as coincidence factors, plant controller limits, etc. that may be applicable for specific cases. (Aggregate Nameplate Rating). The nameplate ratings referenced in the MN DIP are alternating current nameplate DER ratings See MN DIP Section 5.14 on Capacity of the Distributed Energy Resource.

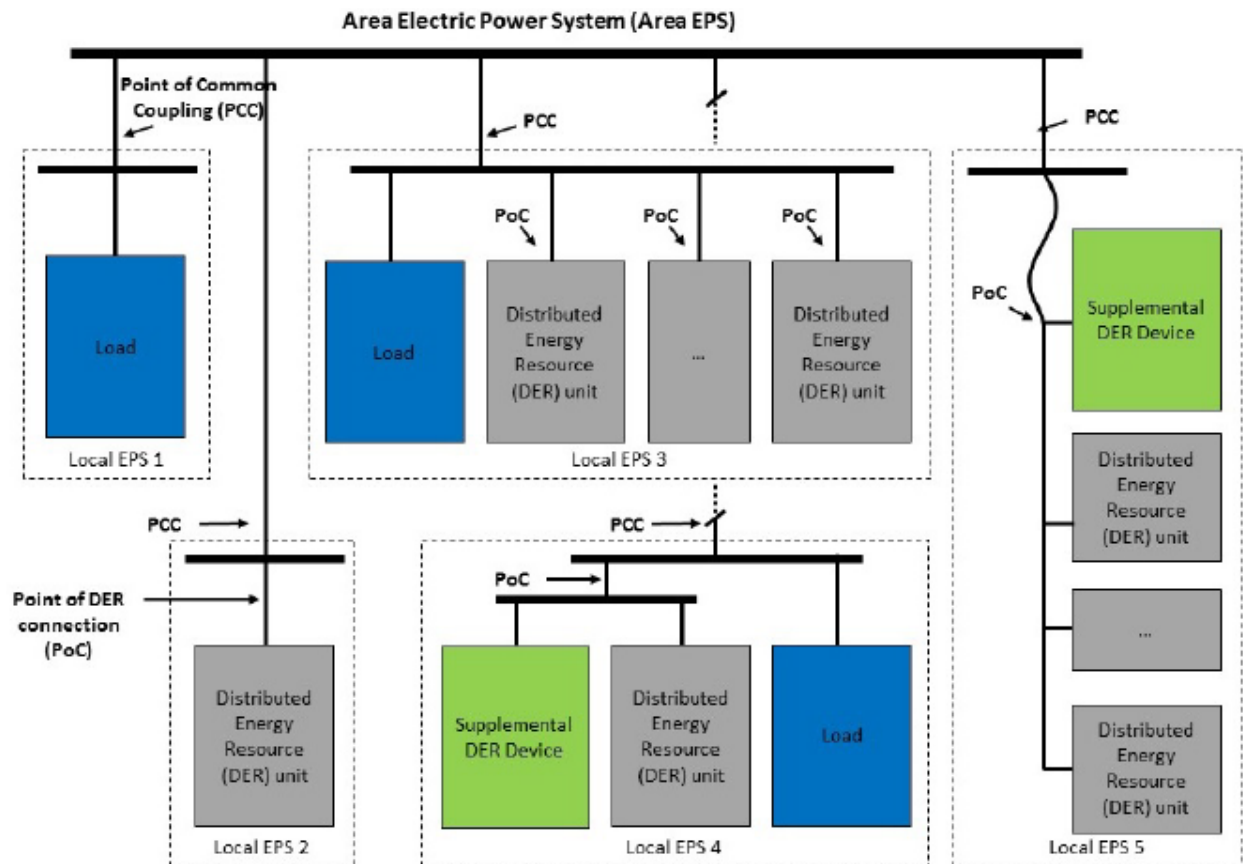
**Network Upgrades** – Additions, modifications, and upgrades to the Transmission System required at or beyond the point at which the DER interconnects with the Area EPS Operator’s System to accommodate the interconnection with the DER to the Area EPS Operator’s System. Network Upgrades do not include Distribution Upgrades.

**Notice of Dispute** – The disputing Party shall provide the other Party this written notice containing the relevant known facts pertaining to the dispute, the specific dispute and the relief sought, and express notice by the disputing Party that it is invoking the procedures under MN DIP 5.3.

**Operating Requirements** – Any operating and technical requirements that may be applicable due to the Transmission Provider’s technical requirements or Minnesota Technical Requirements, including those set forth in this Agreement.

**Party or Parties** – The Area EPS Operator and the Interconnection Customer.

**Point of Common Coupling (PCC)**– The point where the Interconnection Facilities connect with the Area EPS Operator’s Distribution System. See figure 1. Equivalent, in most cases, to “service point” as specified by the Area EPS Operator and described in the National Electrical Code and the National Electrical Safety Code.



**Figure 1: Point of Common Coupling and Point of DER Connection**

(Source: IEEE 1547)

**Point of DER Connection (PoC)** – When identified as the Reference Point of Applicability, the point where an individual DER is electrically connected in a Local EPS and meets the requirements of this standard exclusive of any load present in the respective part of the Local EPS (e.g. terminals of the inverter when no supplemental DER device is required.) For DER Unit(s) that are not self-sufficient to meet the requirements without (a) supplemental DER device(s), the point of DER connection is the point where the requirements of this standard are met by DER in conjunction with (a) supplemental DER device(s) exclusive of any load present in the respective part of the Local EPS.

**Queue Position** – The order of a valid Interconnection Application, relative to all other pending valid Interconnection Applications, that is established based upon the date- and time- of receipt of the complete Interconnection Application as described in MN DIP sections 1.5.2 and 1.8.

**Reasonable Efforts** – With respect to an action required to be attempted or taken by a Party under these procedures, efforts that are timely and consistent with Good Utility Practice and are otherwise substantially equivalent to those a Party would use to protect its own interests.

**Reference Point of Applicability** – The location, either the Point of Common Coupling or the Point of DER Connection, where the interconnection and interoperability performance requirements specified in IEEE 1547 apply. With mutual agreement, the Area EPS Operator and Customer may determine a point between the Point of Common Coupling and Point of DER Connection. See Minnesota DER Technical Interconnection and Interoperability Requirements for more information.

**Simplified Process** – The procedure for evaluating an Interconnection Application for a certified inverter-based DER no larger than 20 kW that uses the screens described in MN DIP section 3.2. The Simplified Process includes simplified procedures. MN DIP Attachment 2 Simplified Application Form includes a brief set of terms and conditions and the option for an Interconnection Agreement described in MN DIP 1.1.5. See MN DIP Section 2 Simplified Process.

**Study Process** – The procedure for evaluating an Interconnection Application that includes the MN DIP Section 4 scoping meeting, system impact study, and facilities study.

**Tariff** – The Area EPS Operator’s Tariff filed in compliance with the Minnesota Distributed Energy Resource Interconnection Procedures (MN DIP) and approved by the Minnesota Public Utilities Commission (MPUC or Commission).

**Transmission Owner** – The entity that owns, leases or otherwise possesses an interest in the portion of the Transmission System relevant to the Interconnection.

**Transmission Provider** – The entity (or its designated agent) that owns, leases, controls, or operates transmission facilities used for the transmission of electricity. The term Transmission Provider includes the Transmission Owner when the Transmission Owner is separate from the Transmission Provider. The Transmission Provider may include the Independent System Operator or Regional Transmission Operator.

**Transmission System** – The facilities owned, leased, controlled or operated by the Transmission Provider or the Transmission Owner that are used to provide transmission service. See the Commission’s July 26, 2000 Order Adopting Boundary Guidelines for Distinguishing Transmission from Generation and Distribution Assets in Docket No. E-999/CI-99/1261.

**Uniform Statewide Contract** – State of Minnesota’s standard, uniform contract that must be applied to all qualifying new and existing interconnections between a utility and DER having capacity less than 40 kilowatts if interconnecting with a cooperative or municipal utility and 1,000 kilowatts if interconnecting with a public utility. ([Minn. Rules 7835.9910](#))

**Upgrades** – The required additions and modifications to the Area EPS Operator’s Transmission or Distribution System at or beyond the Point of Interconnection. Upgrades may be Network Upgrades or Distribution Upgrades. Upgrades do not include Interconnection Facilities.

## Attachment 2: Description and Costs of the Distributed Energy Resource, Interconnection Facilities, and Metering Equipment

Equipment, including the Distributed Energy Resource, Interconnection Facilities, and metering equipment shall be itemized and identified as being owned by the Interconnection Customer or the Area EPS Operator. The Area EPS Operator will provide a good faith estimate itemized cost, including administrative overheads, of its Interconnection Facilities and metering equipment, and a good faith estimate itemized cost of the annual operation and maintenance expenses associated with its Interconnection Facilities and metering equipment. The Area EPS shall inform the Interconnection Customer of the option to either pay the metering costs upfront or through a monthly metering fee and provide the customer a copy of the tariff with the metering fee pursuant to MN DIP 5.4.

Attachment 3: One-line Diagram Depicting the Distributed Energy Resource, Interconnection Facilities, Metering Equipment, and Upgrades

## Attachment 4: Milestones

The Milestone in line (1) below may be a calendar date. All other dates in this Attachment 4 may be number of Business Days from the calendar date in line (1) or from the completion of a different Milestone described in a specified line number. Similarly, the anticipated In-Service Date may be based on the number of Business Days from the completion of a specified line number.

In-Service Date: \_\_\_\_\_

Critical milestones and responsibility as agreed to by the Parties:

	<b>Milestone/Anticipated Date</b>	<b>Responsible Party</b>
(1)	_____	_____
(2)	_____	_____
(3)	_____	_____
(4)	_____	_____
(5)	_____	_____
(6)	_____	_____
(7)	_____	_____
(8)	_____	_____
(9)	_____	_____
(10)	_____	_____

Agreed to by:

For the Area EPS Operator \_\_\_\_\_ Date \_\_\_\_\_

For the Transmission Owner (If Applicable) \_\_\_\_\_ Date \_\_\_\_\_

For the Interconnection Customer \_\_\_\_\_ Date \_\_\_\_\_

## Attachment 5: Additional Operating and Maintenance Requirements for the Area EPS Operator's Distribution System and Affected Systems Needed to Support the Interconnection Customer's Needs

The Area EPS Operator shall also provide requirements that must be met by the Interconnection Customer prior to initiating parallel operation with the Area EPS Operator's Distribution System. Additional operating and maintenance requirements for an Affected System needed to support the Interconnection Customer's needs may be addressed in a separate agreement as described in Article 5.3.

## Attachment 6: Area EPS Operator's Description of Distribution and Network Upgrades and Good Faith Estimates of Upgrade Costs

The Area EPS Operator shall describe Distribution and Network Upgrades and provide an itemized good faith estimate of the costs, including administrative overheads, of the Upgrades and annual operation and maintenance expenses associated with such Upgrades. The Area EPS Operator shall functionalize Upgrade costs and annual expenses as either transmission or distribution related. Additional Distribution or Network Upgrades required for an Affected System may be addressed in a separate agreement as described in Article 5.3.



**DAKOTA ELECTRIC ASSOCIATION**  
**UNIFORM STATEWIDE CONTRACT**  
**FOR**  
**COGENERATION AND SMALL POWER PRODUCTION FACILITIES**

THIS CONTRACT is entered into \_\_\_\_\_, 20\_\_\_, by Dakota Electric Association (hereafter called "Cooperative") and \_\_\_\_\_ (hereafter called "QF").

RECITALS

The QF has installed electric generating facilities, consisting of

\_\_\_\_\_  
\_\_\_\_\_  
(Description of facilities), rated at less than 40 kilowatts of electricity, on property located at \_\_\_\_\_.

The QF is prepared to generate electricity in parallel with the Cooperative.

The QF's electric generating facilities meet the requirements of the Minnesota Public Utilities Commission (hereafter called "Commission") rules on Cogeneration and Small Power Production and any technical standards for interconnection the Cooperative has established that are authorized by those rules.

The Cooperative is obligated under federal and Minnesota law to interconnect with the QF and to purchase electricity offered for sale by the QF.

A contract between the QF and the Cooperative is required by the Commission's rules.

AGREEMENTS

The QF and the Cooperative agree:

1. The Cooperative will sell electricity to the QF under the rate schedule in force for the class of customer to which the QF belongs.
2. The Cooperative will buy electricity from the QF under the current rate schedule filed with the Commission. The QF elects the rate schedule category hereinafter indicated:
  - \_\_\_ a. Average retail utility energy rate under part 7835.3300.
  - \_\_\_ b. Simultaneous purchase and sale billing rate under part 7835.3400.

\_\_\_\_ c. Time-of-day purchase rates under part 7835.3500.

A copy of the presently filed rate schedule is attached to this contract.

3. A Public Utility will buy electricity from the QF under the current rate schedule filed with the Commission. If the QF has less than 40 kilowatts capacity, the QF elects the rate schedule category hereinafter indicated:

\_\_\_\_ a. Average retail utility energy rate under part 7835.4013.

\_\_\_\_ b. Simultaneous purchase and sale billing rate under part 7835.4014.

\_\_\_\_ c. Time-of-day purchase rates under part 7835.4015.

A copy of the presently filed rate schedule is attached to this contract.

4. A Public Utility will buy electricity from the QF under the current rate schedule filed with the Commission. If the QF is not a net metered facility and has at least 40 kilowatts capacity but less than 1,000 kilowatt capacity, the QF elects the rate schedule category hereinafter indicated:

\_\_\_\_ a. Simultaneous purchase and sale billing rate under part 7835.4014.

\_\_\_\_ b. Time-of-day purchase rates under part 7835.4015.

A copy of the presently filed rate schedule is attached to this contract.

5. A Public Utility will buy electricity from a net metered facility under the current rate schedule filed with the Commission or will compensate the facility in the form of a kilowatt-hour credit on the facility's energy bill. If the net metered facility has at least 40 kilowatts capacity but less than 1,000 kilowatts capacity, the QF elects the rate schedule category hereinafter indicated:

\_\_\_\_ a. Kilowatt-hour energy credit on the customer's energy bill, carried forward and applied to subsequent energy bills, with an annual true-up under part 7835.4017.

\_\_\_\_ b. Simultaneous purchase and sale billing rate under part 7835.4014.

\_\_\_\_ c. Time-of-day purchase rates under part 7835.4015.

A copy of the presently filed rate schedule is attached to this contract.

6. The rates for sales and purchases of electricity may change over the time this contract is in force, due to actions of the Cooperative or of the Commission, and the QF and the Cooperative agree that sales and

purchases will be made under the rates in effect each month during the time this contract is in force.

7. The Cooperative will compute the charges and payments for purchases and sales for each billing period. Any net credit to the QF, other than kilowatt-hour credits under clause 5, will be made under one of the following options as chosen by the QF:

\_\_\_\_ a. Credit to the QF's account with the Cooperative.

\_\_\_\_ b. Paid by check to the QF within 15 days of the billing date.

8. Renewable energy credits associated with generation from the facility are owned by:

\_\_\_\_\_  
\_\_\_\_\_  
\_\_\_\_\_.

9. The QF must operate its electric generating facilities within any rules, regulations, and policies adopted by the Cooperative not prohibited by the Commission's rules on Cogeneration and Small Power Production which provide reasonable technical connection and operating specifications for the QF. This agreement does not waive the QF's right to bring a dispute before the Commission as authorized by Minnesota Rules, part [7835.4500](#), and any other provision of the Commission's rules on Cogeneration and Small Power Production authorizing Commission resolution of a dispute.

10. The Cooperative's rules, regulations, and policies must conform to the Commission's rules on Cogeneration and Small Power Production.

11. The QF will operate its electric generating facilities so that they conform to the national, state, and local electric and safety codes, and will be responsible for the costs of conformance.

12. The QF is responsible for the actual, reasonable costs of interconnection which are estimated to be \$\_\_\_\_\_. The QF will pay the Cooperative in this way:

\_\_\_\_\_  
\_\_\_\_\_.

13. The QF will give the Cooperative reasonable access to its property and electric generating facilities if the configuration of those facilities does not permit disconnection or testing from the Cooperative's side of the interconnection. If the Cooperative enters the QF's property, the Cooperative will remain responsible for its personnel.

14. The Cooperative may stop providing electricity to the QF during a system emergency. The Cooperative will not discriminate against the QF when it stops providing electricity or when it resumes providing electricity.

15. The Cooperative may stop purchasing electricity from the QF when necessary for the Cooperative to construct, install, maintain, repair, replace, remove, investigate, or inspect any equipment or facilities within its electric system. The Cooperative will notify the QF before it stops purchasing electricity in this way:

---

---

16. The QF will keep in force liability insurance against personal or property damage due to the installation, interconnection, and operation of its electric generating facilities. The amount of insurance coverage will be \$\_\_\_\_\_ (The amount must be consistent with the Commission's interconnection standards under Minnesota Rules, part [7835.4750](#)).

17. This contract becomes effective as soon as it is signed by the QF and the Cooperative. This contract will remain in force until either the QF or the Cooperative gives written notice to the other that the contract is canceled. This contract will be canceled 30 days after notice is given.

18. This contract contains all the agreements made between the QF and the Cooperative except that this contract shall at all times be subject to all rules and orders issued by the Public Utilities Commission or other government agency having jurisdiction over the subject matter of this contract. The QF and the Cooperative are not responsible for any agreements other than those stated in this contract.

THE QF AND THE COOPERATIVE HAVE READ THIS CONTRACT AND AGREE TO BE BOUND BY ITS TERMS. AS EVIDENCE OF THEIR AGREEMENT, THEY HAVE EACH SIGNED THIS CONTRACT BELOW ON THE DATE WRITTEN AT THE BEGINNING OF THIS CONTRACT.

QF

By: \_\_\_\_\_

\_\_\_\_\_

COOPERATIVE

By: \_\_\_\_\_

\_\_\_\_\_

(Title)

First Name	Last Name	Email	Company Name	Address	Delivery Method	View Trade Secret	Service List Name
Janet	Anderson	jainstp@q.com	-	1799 Sargent  St. Paul, MN 55105	Electronic Service	No	OFF_SL_1-1023_1
Christopher	Anderson	canderson@allete.com	Minnesota Power	30 W Superior St  Duluth, MN 558022191	Electronic Service	No	OFF_SL_1-1023_1
John	Bailey	bailey@ilsr.org	Institute For Local Self-Reliance	1313 5th St SE Ste 303  Minneapolis, MN 55414	Electronic Service	No	OFF_SL_1-1023_1
Peter	Beithon	pbeithon@otpc.com	Otter Tail Power Company	P.O. Box 496 215 South Cascade Street Fergus Falls, MN 565380496	Electronic Service	No	OFF_SL_1-1023_1
Jon	Brekke	jbrekke@grenergy.com	Great River Energy	12300 Elm Creek Boulevard  Maple Grove, MN 553694718	Electronic Service	No	OFF_SL_1-1023_1
Generic Notice	Commerce Attorneys	commerce.attorneys@ag.state.mn.us	Office of the Attorney General-DOC	445 Minnesota Street Suite 1800  St. Paul, MN 55101	Electronic Service	No	OFF_SL_1-1023_1
George	Crocker	gwillc@nawo.org	North American Water Office	PO Box 174  Lake Elmo, MN 55042	Electronic Service	No	OFF_SL_1-1023_1
Lisa	Daniels	lisadaniels@windustry.org	Windustry	201 Ridgewood Ave  Minneapolis, MN 55403	Electronic Service	No	OFF_SL_1-1023_1
Ian	Dobson	residential.utilities@ag.state.mn.us	Office of the Attorney General-RUD	1400 BRM Tower 445 Minnesota St St. Paul, MN 551012130	Electronic Service	No	OFF_SL_1-1023_1
Steve	Downer	sdowner@mmua.org	MMUA	3025 Harbor Ln N Ste 400  Plymouth, MN 554475142	Electronic Service	No	OFF_SL_1-1023_1

First Name	Last Name	Email	Company Name	Address	Delivery Method	View Trade Secret	Service List Name
Renee	Doyle		Doyle Electric Inc.	PO Box 295 Amboy, MN 56010	Paper Service	No	OFF_SL_1-1023_1
R. Neal	Elliot		American Council for an	Energy-Efficient Economy 529 14th Street, NW, Suite 600 Washington, DC 20045	Paper Service	No	OFF_SL_1-1023_1
Sharon	Ferguson	sharon.ferguson@state.mn.us	Department of Commerce	85 7th Place E Ste 280  Saint Paul, MN 551012198	Electronic Service	Yes	OFF_SL_1-1023_1
Tony	Hainault	anthony.hainault@co.hennepin.mn.us	Hennepin County DES	701 4th Ave S Ste 700  Minneapolis, MN 55415-1842	Electronic Service	No	OFF_SL_1-1023_1
John S.	Jaffray	jjaffray@jirpower.com	JJR Power	350 Highway 7 Suite 236  Excelsior, MN 55331	Electronic Service	No	OFF_SL_1-1023_1
Steve	Korstad		Korridor Capital Investments, LLC	20 Red Fox Road  St. Paul, MN 551276331	Paper Service	No	OFF_SL_1-1023_1
Michael	Krikava	mkrikava@briggs.com	Briggs And Morgan, P.A.	2200 IDS Center 80 S 8th St Minneapolis, MN 55402	Electronic Service	No	OFF_SL_1-1023_1
Douglas	Larson	dlarson@dakotaelectric.com	Dakota Electric Association	4300 220th St W  Farmington, MN 55024	Electronic Service	No	OFF_SL_1-1023_1
Michael	Loeffler	mike.loeffler@nngco.com	Northern Natural Gas Co.	CORP HQ, 714 1111 So. 103rd Street Omaha, NE 681241000	Electronic Service	No	OFF_SL_1-1023_1

First Name	Last Name	Email	Company Name	Address	Delivery Method	View Trade Secret	Service List Name
Richard	Macke	macker@powersystem.org	Power System Engineering, Inc.	10710 Town Square Dr NE Ste 201  Minneapolis, MN 55449	Electronic Service	No	OFF_SL_1-1023_1
Pam	Marshall	pam@energycents.org	Energy CENTS Coalition	823 7th St E  St. Paul, MN 55106	Electronic Service	No	OFF_SL_1-1023_1
Michael	Noble	noble@fresh-energy.org	Fresh Energy	Hamm Bldg., Suite 220 408 St. Peter Street St. Paul, MN 55102	Electronic Service	No	OFF_SL_1-1023_1
Bethany	Owen	bowen@mnpower.com	Minnesota Power	30 West Superior Street  Duluth, MN 55802	Electronic Service	No	OFF_SL_1-1023_1
David G.	Prazak	dprazak@otpc.com	Otter Tail Power Company	P.O. Box 496 215 South Cascade Street Fergus Falls, MN 565380496	Electronic Service	No	OFF_SL_1-1023_1
Richard	Savelkoul	rsavelkoul@martinsquires.com	Martin & Squires, P.A.	332 Minnesota Street Ste W2750  St. Paul, MN 55101	Electronic Service	No	OFF_SL_1-1023_1
Larry L.	Schedin	Larry@LLSResources.com	LLS Resources, LLC	332 Minnesota St, Ste W1390  St. Paul, MN 55101	Electronic Service	No	OFF_SL_1-1023_1
Mrg	Simon	mrgsimon@mrenergy.com	Missouri River Energy Services	3724 W. Avera Drive P.O. Box 88920 Sioux Falls, SD 571098920	Electronic Service	No	OFF_SL_1-1023_1
Rafi	Sohail	rafi.sohail@centerpointenergy.com	CenterPoint Energy	800 LaSalle Avenue P.O. Box 59038 Minneapolis, MN 554590038	Electronic Service	No	OFF_SL_1-1023_1



First Name	Last Name	Email	Company Name	Address	Delivery Method	View Trade Secret	Service List Name
Lynnette	Sweet	Regulatory.records@xcelenergy.com	Xcel Energy	414 Nicollet Mall FL 7 Minneapolis, MN 554011993	Electronic Service	No	OFF_SL_1-1023_1
Daniel	Tonder	d.tonder@mnpower.com	Minnesota Power	PO Box 60 Little Falls, MN 56345	Electronic Service	No	OFF_SL_1-1023_1
Craig	Turner	cturner@dakotaelectric.com	Dakota Electric Association	4300 - 220th Street West Farmington, MN 550249583	Electronic Service	No	OFF_SL_1-1023_1
Robyn	Woeste	robynwoeste@alliantenergy.com	Interstate Power and Light Company	200 First St SE Cedar Rapids, IA 52401	Electronic Service	No	OFF_SL_1-1023_1
Daniel P	Wolf	dan.wolf@state.mn.us	Public Utilities Commission	121 7th Place East Suite 350 St. Paul, MN 551012147	Electronic Service	Yes	OFF_SL_1-1023_1

First Name	Last Name	Email	Company Name	Address	Delivery Method	View Trade Secret	Service List Name
Ross	Abbey	ross.abbey@us-solar.com	United States Solar Corp.	100 North 6th St Ste 222C  Minneapolis, MN 55403	Electronic Service	No	OFF_SL_16-521_Official Service List PUC
Michael	Allen	michael.allen@allenergysolar.com	All Energy Solar	721 W 26th st Suite 211  Minneapolis, Minnesota 55405	Electronic Service	No	OFF_SL_16-521_Official Service List PUC
David	Amster Olzweski	david@mysunshare.com	SunShare, LLC	1774 Platte St  Denver, CO 80202	Electronic Service	No	OFF_SL_16-521_Official Service List PUC
Mark	Anderson	manderson@southcentralelectric.com	South Central Electric Association	PO Box 150 71176 Tiell Drive St. James, MN 56081	Electronic Service	No	OFF_SL_16-521_Official Service List PUC
Christopher	Anderson	canderson@allete.com	Minnesota Power	30 W Superior St  Duluth, MN 558022191	Electronic Service	No	OFF_SL_16-521_Official Service List PUC
Janet	Anderson	jainstp@q.com	-	1799 Sargent  St. Paul, MN 55105	Electronic Service	No	OFF_SL_16-521_Official Service List PUC
Christine	Andrews	christineandrewsjd@gmail.com		792 Goodrich Ave  St Paul, Minnesota 55105	Electronic Service	No	OFF_SL_16-521_Official Service List PUC
Alison C	Archer	aarcher@misoenergy.org	MISO	2985 Ames Crossing Rd  Eagan, MN 55121	Electronic Service	No	OFF_SL_16-521_Official Service List PUC
John	Bailey	bailey@ilsr.org	Institute For Local Self-Reliance	1313 5th St SE Ste 303  Minneapolis, MN 55414	Electronic Service	No	OFF_SL_16-521_Official Service List PUC
Sara	Baldwin Auck	sarab@irecusa.org	Interstate Renewable Energy Council, Inc.	PO Box 1156  Latham, NY 12110	Electronic Service	No	OFF_SL_16-521_Official Service List PUC

First Name	Last Name	Email	Company Name	Address	Delivery Method	View Trade Secret	Service List Name
Laura	Beaton	beaton@smwlaw.com	Shute, Mihaly & Weinberger LLP	396 Hayes Street San Francisco, CA 94102	Electronic Service	No	OFF_SL_16-521_Official Service List PUC
Peter	Beithon	pbeithon@otpc.com	Otter Tail Power Company	P.O. Box 496 215 South Cascade Street Fergus Falls, MN 565380496	Electronic Service	No	OFF_SL_16-521_Official Service List PUC
Sara	Bergan	sebergan@stoel.com	Stoel Rives LLP	33 South Sixth Street Suite 4200 Minneapolis, MN 55402	Electronic Service	No	OFF_SL_16-521_Official Service List PUC
Derek	Bertsch	derek.bertsch@mrenergy.com	Missouri River Energy Services	3724 West Avera Drive PO Box 88920 Sioux Falls, SD 57109-8920	Electronic Service	No	OFF_SL_16-521_Official Service List PUC
William	Black	bblack@mmua.org	MMUA	Suite 400 3025 Harbor Lane North Plymouth, MN 554475142	Electronic Service	No	OFF_SL_16-521_Official Service List PUC
Becky	Bradburn	b.bradburn@bcrea.coop	Brown County Rural Electric Assn.	PO Box 529  Sleepy Eye, MN 56085	Electronic Service	No	OFF_SL_16-521_Official Service List PUC
Kenneth	Bradley	kbradley1965@gmail.com		2837 Emerson Ave S Apt CW112  Minneapolis, MN 55408	Electronic Service	No	OFF_SL_16-521_Official Service List PUC
Jon	Brekke	jbrekke@grenergy.com	Great River Energy	12300 Elm Creek Boulevard  Maple Grove, MN 553694718	Electronic Service	No	OFF_SL_16-521_Official Service List PUC
Kathleen M.	Brennan	kmb@mcgrannshea.com	McGrann Shea Carnival, Straughn & Lamb, Chartered	800 Nicollet Mall Ste 2600  Minneapolis, MN 554027035	Electronic Service	No	OFF_SL_16-521_Official Service List PUC

First Name	Last Name	Email	Company Name	Address	Delivery Method	View Trade Secret	Service List Name
Mark B.	Bring	mbring@otpc.com	Otter Tail Power Company	215 South Cascade Street PO Box 496 Fergus Falls, MN 565380496	Electronic Service	No	OFF_SL_16-521_Official Service List PUC
Christina	Brusven	cbrusven@fredlaw.com	Fredrikson Byron	200 S 6th St Ste 4000  Minneapolis, MN 554021425	Electronic Service	No	OFF_SL_16-521_Official Service List PUC
Michael J.	Bull	mbull@mncee.org	Center for Energy and Environment	212 Third Ave N Ste 560  Minneapolis, MN 55401	Electronic Service	No	OFF_SL_16-521_Official Service List PUC
Jessica	Burdette	jessica.burdette@state.mn. us	Department of Commerce	85 7th Place East Suite 500 St. Paul, MN 55101	Electronic Service	No	OFF_SL_16-521_Official Service List PUC
Douglas M.	Carnival	dmc@mcgrannshea.com	McGrann Shea Carnival Straughn & Lamb	N/A	Electronic Service	No	OFF_SL_16-521_Official Service List PUC
Pat	Carruth	pat@mnvalleyrec.com	Minnesota Valley Coop. Light & Power Assn.	501 S 1st St. PO Box 248 Montevideo, MN 56265	Electronic Service	No	OFF_SL_16-521_Official Service List PUC
Kenneth A.	Colburn	kcolburn@symbioticstrategi es.com	Symbiotic Strategies, LLC	26 Winton Road  Meredith, NH 32535413	Electronic Service	No	OFF_SL_16-521_Official Service List PUC
Generic Notice	Commerce Attorneys	commerce.attorneys@ag.st ate.mn.us	Office of the Attorney General-DOC	445 Minnesota Street Suite 1800  St. Paul, MN 55101	Electronic Service	Yes	OFF_SL_16-521_Official Service List PUC
Curtis	Cordt	ccordt@mvec.net	Minnesota Valley Electric Cooperative	125 Minnesota Valley Electric Drive  Jordan, MN 55352	Electronic Service	No	OFF_SL_16-521_Official Service List PUC
George	Crocker	gwillc@nawo.org	North American Water Office	PO Box 174  Lake Elmo, MN 55042	Electronic Service	No	OFF_SL_16-521_Official Service List PUC

First Name	Last Name	Email	Company Name	Address	Delivery Method	View Trade Secret	Service List Name
Art	Crowell	acrowell@sundialsolarenergy.com	Sundial Solar	not provided	Electronic Service	No	OFF_SL_16-521_Official Service List PUC
Arthur	Crowell	Crowell.arthur@yahoo.com	A Work of Art Solar	14333 Orchard Rd.  Minnetonka, MN 55345	Electronic Service	No	OFF_SL_16-521_Official Service List PUC
Leigh	Currie	lcurrie@mncenter.org	Minnesota Center for Environmental Advocacy	26 E. Exchange St., Suite 206  St. Paul, Minnesota 55101	Electronic Service	No	OFF_SL_16-521_Official Service List PUC
Stacy	Dahl	sdahl@minnkota.com	Minnkota Power Cooperative, Inc.	5301 32nd Ave S  Grand Forks, ND 58201	Electronic Service	No	OFF_SL_16-521_Official Service List PUC
David	Dahlberg	davedahlberg@nweco.com	Northwestern Wisconsin Electric Company	P.O. Box 9 104 South Pine Street Grantsburg, WI 548400009	Electronic Service	No	OFF_SL_16-521_Official Service List PUC
Patrick	Dalton	patrick.l.dalton@xcelenergy.com	Xcel Energy	N/A	Electronic Service	No	OFF_SL_16-521_Official Service List PUC
Lisa	Daniels	lisadaniels@windustry.org	Windustry	201 Ridgewood Ave  Minneapolis, MN 55403	Electronic Service	No	OFF_SL_16-521_Official Service List PUC
James	Darabi	james.darabi@solarfarm.com	Solar Farm, LLC	2355 Fairview Ave #101  St. Paul, MN 55113	Electronic Service	No	OFF_SL_16-521_Official Service List PUC
James	Denniston	james.r.denniston@xcelenergy.com	Xcel Energy Services, Inc.	414 Nicollet Mall, Fifth Floor  Minneapolis, MN 55401	Electronic Service	No	OFF_SL_16-521_Official Service List PUC
Curt	Dieren	curt.dieren@dgr.com	L&O Power Cooperative	1302 S Union St  Rock Rapids, IA 51246	Electronic Service	No	OFF_SL_16-521_Official Service List PUC

First Name	Last Name	Email	Company Name	Address	Delivery Method	View Trade Secret	Service List Name
Cheryl	Dietrich	cheryl.dietrich@nexteraenergy.com	NextEra Energy Resources, LLC	700 Universe Blvd E1W/JB Juno Beach, FL 33408	Electronic Service	No	OFF_SL_16-521_Official Service List PUC
Ian	Dobson	residential.utilities@ag.state.mn.us	Office of the Attorney General-RUD	1400 BRM Tower 445 Minnesota St St. Paul, MN 551012130	Electronic Service	Yes	OFF_SL_16-521_Official Service List PUC
Robin	Doege	rdoege@toddwadana.coop	Todd Wadena Electric Cooperative	550 Ash Ave NE Wadena, MN 56482	Electronic Service	No	OFF_SL_16-521_Official Service List PUC
Robin	Doege	Rdoege@stearnslectric.org	Stearns Electric Association	900 Kraft Dr SE Melrose, MN 56352	Electronic Service	No	OFF_SL_16-521_Official Service List PUC
Kristin	Dolan	kdolan@meeker.coop	Meeker Cooperative Light & Power Assn	1725 US Hwy 12 E. Ste 100 Litchfield, MN 55355	Electronic Service	No	OFF_SL_16-521_Official Service List PUC
Steve	Downer	sdowner@mmua.org	MMUA	3025 Harbor Ln N Ste 400 Plymouth, MN 554475142	Electronic Service	No	OFF_SL_16-521_Official Service List PUC
Renee	Doyle		Doyle Electric Inc.	PO Box 295 Amboy, MN 56010	Paper Service	No	OFF_SL_16-521_Official Service List PUC
Kelly	Dybdahl	kdybdahl@llec.coop	Lyon-Lincoln Electric Cooperative, Inc.	205 W. Hwy. 14 Tyler, MN 56178	Electronic Service	No	OFF_SL_16-521_Official Service List PUC
Kristen	Eide Tollefson	healingsystems69@gmail.com	R-CURE	28477 N Lake Ave Frontenac, MN 55026-1044	Electronic Service	No	OFF_SL_16-521_Official Service List PUC

First Name	Last Name	Email	Company Name	Address	Delivery Method	View Trade Secret	Service List Name
R. Neal	Elliot		American Council for an	Energy-Efficient Economy 529 14th Street, NW, 600 Washington, DC 20045	Paper Service Suite	No	OFF_SL_16-521_Official Service List PUC
Nadav	Enbar	nenbar@epri.com	EPRI	1117 Quince Ave  Boulder, CO 80304	Electronic Service	No	OFF_SL_16-521_Official Service List PUC
Betsy	Engelking	betsy@geronimoenergy.com	Geronimo Energy	7650 Edinborough Way Suite 725 Edina, MN 55435	Electronic Service	No	OFF_SL_16-521_Official Service List PUC
Oncu	Er	oncu.er@avantenergy.com	Avant Energy, Agent for MMPA	220 S. Sixth St. Ste. 1300  Minneapolis, MN 55402	Electronic Service	No	OFF_SL_16-521_Official Service List PUC
John	Farrell	jfarrell@ilsr.org	Institute for Local Self- Reliance	1313 5th St SE #303  Minneapolis, MN 55414	Electronic Service	No	OFF_SL_16-521_Official Service List PUC
Sharon	Ferguson	sharon.ferguson@state.mn.us	Department of Commerce	85 7th Place E Ste 280  Saint Paul, MN 551012198	Electronic Service	No	OFF_SL_16-521_Official Service List PUC
Mike	Franklin	mfranklin@mncef.com	MN Conservative Energy Forum	235 E 6th St Fifth Floor St. Paul, MN 55101	Electronic Service	No	OFF_SL_16-521_Official Service List PUC
Nathan	Franzen	nathan@geronimoenergy.com	Geronimo Energy	7650 Edinborough Way Suite 725 Edina, MN 55435	Electronic Service	No	OFF_SL_16-521_Official Service List PUC
David	Freestate	dfreestate@epri.com	EPRI	942 Corridor Park Blvd  Knoxville, TN 37932	Electronic Service	No	OFF_SL_16-521_Official Service List PUC
Scott	Froemming	sfroemming@kpcoop.com	Kandiyohi Power Cooperative	8605 47th St NE  Spicer, MN 56288-4617	Electronic Service	No	OFF_SL_16-521_Official Service List PUC

First Name	Last Name	Email	Company Name	Address	Delivery Method	View Trade Secret	Service List Name
Katelyn	Frye	kfrye@mnpower.com	Minnesota Power	30 W Superiot St  Duluth, MN 558022093	Electronic Service	No	OFF_SL_16-521_Official Service List PUC
Hal	Galvin	halgalvin@comcast.net	Provectus Energy Development llc	1936 Kenwood Parkway  Minneapolis, MN 55405	Electronic Service	No	OFF_SL_16-521_Official Service List PUC
Elaine	Garry	egarry@peoplesrec.com	Peoples Energy Cooperative	1775 Lake Shady Ave S  Oronoco, MN 55960-2351	Electronic Service	No	OFF_SL_16-521_Official Service List PUC
Edward	Garvey	garveyed@aol.com	Residence	32 Lawton St  Saint Paul, MN 55102	Electronic Service	No	OFF_SL_16-521_Official Service List PUC
Allen	Gleckner	gleckner@fresh-energy.org	Fresh Energy	408 St. Peter Street Ste 220 Saint Paul, Minnesota 55102	Electronic Service	No	OFF_SL_16-521_Official Service List PUC
Nitzan	Goldberger	n.goldberger@energystorage.org	Energy Storage Association	1800 M Street NW Suite 400S Washington, DC 20036	Electronic Service	No	OFF_SL_16-521_Official Service List PUC
Sarah	Groebner	sgroebner@redwoodelectric.com	Redwood Electric Cooperative	60 Pine St  Clements, MN 56224	Electronic Service	No	OFF_SL_16-521_Official Service List PUC
Timothy	Gulden	info@winonarenewableenergy.com	Winona Renewable Energy, LLC	1449 Ridgewood Dr  Winona, MN 55987	Electronic Service	No	OFF_SL_16-521_Official Service List PUC
Tom	Guttormson	Tom.Guttormson@connexusenergy.com	Connexus Energy	14601 Ramsey Blvd  Ramsey, MN 55303	Electronic Service	No	OFF_SL_16-521_Official Service List PUC
Tony	Hainault	anthony.hainault@co.hennepin.mn.us	Hennepin County DES	701 4th Ave S Ste 700  Minneapolis, MN 55415-1842	Electronic Service	No	OFF_SL_16-521_Official Service List PUC



First Name	Last Name	Email	Company Name	Address	Delivery Method	View Trade Secret	Service List Name
James	Haler	jhaler@southcentralelectric.com	South Central Electric Association	71176 Tiell Dr P. O. Box 150 St. James, MN 56081	Electronic Service	No	OFF_SL_16-521_Official Service List PUC
Laura	Hannah	hannah@fresh-energy.org	Fresh Energy	408 St. Peter Street Ste 220  St. Paul, MN 55102	Electronic Service	No	OFF_SL_16-521_Official Service List PUC
Donald	Hanson	dfhanson@ieee.org	Solar Photovoltaic Systems	P. O. Box 44579  Eden Prairie, MN 55344	Electronic Service	No	OFF_SL_16-521_Official Service List PUC
John	Harlander	john.c.harlander@xcelenergy.com	Xcel Energy	N/A	Electronic Service	No	OFF_SL_16-521_Official Service List PUC
Duane	Hebert	duane.hebert@novelenergy.biz	Novel Energy Solutions	1628 2nd Ave SE  Rochester, MN 55904	Electronic Service	No	OFF_SL_16-521_Official Service List PUC
Kimberly	Hellwig	kimberly.hellwig@stoel.com	Stoel Rives LLP	33 South Sixth Street Suite 4200 Minneapolis, MN 55402	Electronic Service	No	OFF_SL_16-521_Official Service List PUC
Jared	Hendricks	hendricksj@owatonnautilities.com	Owatonna Public Utilities	PO Box 800 208 S Walnut Ave Owatonna, MN 55060-2940	Electronic Service	No	OFF_SL_16-521_Official Service List PUC
Annete	Henkel	mui@mutilityinvestors.org	Minnesota Utility Investors	413 Wacouta Street #230 St. Paul, MN 55101	Electronic Service	No	OFF_SL_16-521_Official Service List PUC
Ryan	Hentges	ryanh@mvec.net	Minnesota Valley Electric Cooperative	125 Minnesota Valley Electric Dr  Jordan, MN 55352	Electronic Service	No	OFF_SL_16-521_Official Service List PUC
Carrie	Hitt	carrie.hitt@nexteraenergy.com	NextEra Energy Resources	700 Universe Blvd  Juno, CA 33408	Electronic Service	No	OFF_SL_16-521_Official Service List PUC

First Name	Last Name	Email	Company Name	Address	Delivery Method	View Trade Secret	Service List Name
Ronald	Horman	rhorman@redwoodelectric.com	Redwood Electric Cooperative	60 Pine Street Clements, MN 56224	Electronic Service	No	OFF_SL_16-521_Official Service List PUC
Lori	Hoyum	lhoyum@mnpower.com	Minnesota Power	30 West Superior Street Duluth, MN 55802	Electronic Service	No	OFF_SL_16-521_Official Service List PUC
Jan	Hubbard	jan.hubbard@comcast.net		7730 Mississippi Lane Brooklyn Park, MN 55444	Electronic Service	No	OFF_SL_16-521_Official Service List PUC
Dean	Hunter	Dean.Hunter@state.mn.us	Minnesota Department of Labor & Industry	443 Lafayette Rd N St. Paul, MN 55155-4341	Electronic Service	No	OFF_SL_16-521_Official Service List PUC
Barb	Jacobs	jaco0270@umn.edu	University of Minnesota	Institute on the Environmen ,	Electronic Service	No	OFF_SL_16-521_Official Service List PUC
Casey	Jacobson	cjacobson@bepc.com	Basin Electric Power Cooperative	1717 East Interstate Avenue Bismarck, ND 58501	Electronic Service	No	OFF_SL_16-521_Official Service List PUC
Ralph	Jacobson	ralphj@ips-solar.com		2126 Roblyn Avenue Saint Paul, Minnesota 55104	Electronic Service	No	OFF_SL_16-521_Official Service List PUC
John S.	Jaffray	jjaffray@jirpower.com	JJR Power	350 Highway 7 Suite 236 Excelsior, MN 55331	Electronic Service	No	OFF_SL_16-521_Official Service List PUC
Robert	Jagusch	rjagusch@mmua.org	MMUA	3025 Harbor Lane N Minneapolis, MN 55447	Electronic Service	No	OFF_SL_16-521_Official Service List PUC
Chris	Jarosch	chris@carrcreekelectricservice.com	Carr Creek Electric Service, LLC	209 Sommers Street North Hudson, WI 54016	Electronic Service	No	OFF_SL_16-521_Official Service List PUC

First Name	Last Name	Email	Company Name	Address	Delivery Method	View Trade Secret	Service List Name
Sarah	Johnson Phillips	sarah.phillips@stoel.com	Stoel Rives LLP	33 South Sixth Street Suite 4200 Minneapolis, MN 55402	Electronic Service	No	OFF_SL_16-521_Official Service List PUC
Nate	Jones	njones@hcpd.com	Heartland Consumers Power	PO Box 248  Madison, SD 57042	Electronic Service	No	OFF_SL_16-521_Official Service List PUC
Mahmoud	Kabalan, PhD	mahmoud.kabalan@stthomas.edu		Mail OSS 100 2115 Summit Ave Saint Paul, MN 55105	Electronic Service	No	OFF_SL_16-521_Official Service List PUC
Camille	Kadoch	ckadoch@raponline.org	Regulatory Assistance Project	50 State Street Suite 3  Montpelier, VT 05602	Electronic Service	No	OFF_SL_16-521_Official Service List PUC
Michael	Kampmeyer	mkampmeyer@a-e-group.com	AEG Group, LLC	260 Salem Church Road  Sunfish Lake, Minnesota 55118	Electronic Service	No	OFF_SL_16-521_Official Service List PUC
Kevin	Keene	kevin.keene@cummins.com		N/A	Electronic Service	No	OFF_SL_16-521_Official Service List PUC
Jack	Kegel	jkegel@mmua.org	MMUA	3025 Harbor Lane N Suite 400  Plymouth, MN 55447-5142	Electronic Service	No	OFF_SL_16-521_Official Service List PUC
Tam	Kemabonta	kema4033@stthomas.edu		2115 Summit Avenue  Saint Paul, MN 55105	Electronic Service	No	OFF_SL_16-521_Official Service List PUC
Julie	Ketchum	N/A	Waste Management	20520 Keokuk Ave Ste 200  Lakeville, MN 55044	Paper Service	No	OFF_SL_16-521_Official Service List PUC
Tom	Key	tkey@epri.com	EPRI	942 Corridor Park Blvd  Knoxville, TN 37932	Electronic Service	No	OFF_SL_16-521_Official Service List PUC

First Name	Last Name	Email	Company Name	Address	Delivery Method	View Trade Secret	Service List Name
Ted	Kjos	tkjos@mienergy.coop	MiEnergy Cooperative	31110 Cooperative Way  Rushford, MN 55971	Electronic Service	No	OFF_SL_16-521_Official Service List PUC
Brad	Klein	bklein@elpc.org	Environmental Law & Policy Center	35 E. Wacker Drive, Suite 1600  Suite 1600 Chicago, IL 60601	Electronic Service	No	OFF_SL_16-521_Official Service List PUC
Frank	Kornbaum	fkornbaum@mnpower.com	Minnesota Power	30 West Superior St  Duluth, MN 55802	Electronic Service	No	OFF_SL_16-521_Official Service List PUC
Steve	Korstad		Korridor Capital Investments, LLC	20 Red Fox Road  St. Paul, MN 551276331	Paper Service	No	OFF_SL_16-521_Official Service List PUC
Steve	Kosbab	skosbab@meeker.coop	Meeker Cooperative Light and Power	1725 US Hwy 12 E  Litchfield, MN 55355	Electronic Service	No	OFF_SL_16-521_Official Service List PUC
Jon	Kramer	sundialjon@gmail.com	Sundial Solar	3209 W 76th St  Edina, MN 55435	Electronic Service	No	OFF_SL_16-521_Official Service List PUC
Michael	Krause	michaelkrause61@yahoo.com	Kandiyo Consulting, LLC	433 S 7th Street Suite 2025 Minneapolis, Minnesota 55415	Electronic Service	No	OFF_SL_16-521_Official Service List PUC
Michael	Krikava	mkrikava@briggs.com	Briggs And Morgan, P.A.	2200 IDS Center 80 S 8th St Minneapolis, MN 55402	Electronic Service	No	OFF_SL_16-521_Official Service List PUC
Jeffrey L.	Landsman	jlandsman@wheelerlaw.com	Wheeler, Van Sickle & Anderson, S.C.	44 E. Mifflin Street, 10th Floor  Madison, WI 53703	Electronic Service	No	OFF_SL_16-521_Official Service List PUC

First Name	Last Name	Email	Company Name	Address	Delivery Method	View Trade Secret	Service List Name
Mark	Larson	m Larson@meekeer.coop	Meekeer Coop Light & Power Assn	1725 Highway 12 E Ste 100  Litchfield, MN 55355	Electronic Service	No	OFF_SL_16-521_Official Service List PUC
Douglas	Larson	dlarson@dakotaelectric.com	Dakota Electric Association	4300 220th St W  Farmington, MN 55024	Electronic Service	No	OFF_SL_16-521_Official Service List PUC
Burnell	Lauer	blauer.sundial@gmail.com	Sundial Solar	3209 W. 76th St #305  Edina, MN 55435	Electronic Service	No	OFF_SL_16-521_Official Service List PUC
Dean	Leischow	dean@sunrisenrg.com	Sunrise Energy Ventures	315 Manitoba Ave  Wayzata, MN 55391	Electronic Service	No	OFF_SL_16-521_Official Service List PUC
Nick	Lenssen	lenssen.nick@gmail.com		1195 Albion Way  Boulder, CO 80305	Electronic Service	No	OFF_SL_16-521_Official Service List PUC
Annie	Levenson Falk	annief@cupminnesota.org	Citizens Utility Board of Minnesota	332 Minnesota Street, Suite W1360  St. Paul, MN 55101	Electronic Service	No	OFF_SL_16-521_Official Service List PUC
Amy	Liberkowsky	amy.a.liberkowsky@xcelenergy.com	Xcel Energy	414 Nicollet Mall 7th Floor Minneapolis, MN 554011993	Electronic Service	No	OFF_SL_16-521_Official Service List PUC
Carl	Linville	clinville@raponline.org	Regulatory Assistance Project	50 State Street Suite #3  Montpelier, VT 05602	Electronic Service	No	OFF_SL_16-521_Official Service List PUC
Phillip	Lipetsky	greenenergyproductsllc@gmail.com	Green Energy Products	PO Box 108  Springfield, MN 56087	Electronic Service	No	OFF_SL_16-521_Official Service List PUC

First Name	Last Name	Email	Company Name	Address	Delivery Method	View Trade Secret	Service List Name
Michael	Loeffler	mike.loeffler@nngco.com	Northern Natural Gas Co.	CORP HQ, 714 1111 So. 103rd Street Omaha, NE 681241000	Electronic Service	No	OFF_SL_16-521_Official Service List PUC
William	Lovelace	wlovelace@minnkota.com	Minnkota Power Cooperative	5301 32nd Ave S  Grand Forks, ND 58201	Electronic Service	No	OFF_SL_16-521_Official Service List PUC
Liz	Lucente	llucente@mNSEIA.org	MnSEIA	2512 33rd Ave So #2  Minneapolis, MN 55406	Electronic Service	No	OFF_SL_16-521_Official Service List PUC
Brian	Lydic	brian@irecusa.org	Interstate Renewable Energy Council, Inc.	PO Box 1156  Latham, NY 12110-1156	Electronic Service	No	OFF_SL_16-521_Official Service List PUC
Richard	Macke	macker@powersystem.org	Power System Engineering, Inc.	10710 Town Square Dr NE Ste 201  Minneapolis, MN 55449	Electronic Service	No	OFF_SL_16-521_Official Service List PUC
Alex	Magerko	amagerko@epri.com	EPRI	942 Corridor Park Blvd  Knoxville, TN 37932	Electronic Service	No	OFF_SL_16-521_Official Service List PUC
Pam	Marshall	pam@energycents.org	Energy CENTS Coalition	823 7th St E  St. Paul, MN 55106	Electronic Service	No	OFF_SL_16-521_Official Service List PUC
Ralph	Martin	rmartin@stearnselectric.org	Stearns Cooperative Electric Association	PO Box 40  Melrose, MN 56352	Electronic Service	No	OFF_SL_16-521_Official Service List PUC
Michael	McCarty	mmccarty@solarcity.com	Energy Freedom Coalition	3055 Clearview Way  San Mateo, CA 94402	Paper Service	No	OFF_SL_16-521_Official Service List PUC
Erica	McConnell	mcconnell@smwlaw.com	Shute, Mihaly & Weinberger LLP	396 Hayes St  San Francisco, California 94102-4421	Paper Service	No	OFF_SL_16-521_Official Service List PUC

First Name	Last Name	Email	Company Name	Address	Delivery Method	View Trade Secret	Service List Name
Sara G	McGrane	smcgrane@felhaber.com	Felhaber Larson	220 S 6th St Ste 2200 Minneapolis, MN 55420	Electronic Service	No	OFF_SL_16-521_Official Service List PUC
Natalie	McIntire	natalie.mcintire@gmail.com	Wind on the Wires	570 Asbury St Ste 201 Saint Paul, MN 55104-1850	Electronic Service	No	OFF_SL_16-521_Official Service List PUC
Dave	McNary	David.McNary@hennepin.us	Hennepin County DES	701 Fourth Ave S Ste 700 Minneapolis, MN 55415-1842	Electronic Service	No	OFF_SL_16-521_Official Service List PUC
John	McWilliams	jmm@dairy.net	Dairyland Power Cooperative	3200 East Ave SPO Box 817 La Crosse, WI 54601-7227	Electronic Service	No	OFF_SL_16-521_Official Service List PUC
Thomas	Melone	Thomas.Melone@AllcoUS.com	Minnesota Go Solar LLC	222 South 9th Street Suite 1600 Minneapolis, Minnesota 55120	Electronic Service	No	OFF_SL_16-521_Official Service List PUC
Tim	Mergen	tmergen@meeker.coop	Meeker Cooperative Light And Power	1725 US Hwy 12 E. Suite 100 PO Box 68 Litchfield, MN 55355	Electronic Service	No	OFF_SL_16-521_Official Service List PUC
Alan	Miller	N/A		2210 20th St NE Stewartville, MN 55976	Paper Service	No	OFF_SL_16-521_Official Service List PUC
Stacy	Miller	stacy.miller@state.mn.us	Department of Commerce	State Energy Office 85 7th Place East, Suite 500 St. Paul, MN 55101	Electronic Service	No	OFF_SL_16-521_Official Service List PUC
Darrick	Moe	darrick@mrea.org	Minnesota Rural Electric Association	11640 73rd Ave N Maple Grove, MN 55369	Electronic Service	No	OFF_SL_16-521_Official Service List PUC

First Name	Last Name	Email	Company Name	Address	Delivery Method	View Trade Secret	Service List Name
David	Moe	momentums@aol.com		2825 28th Ave S Minneapolis, MN 55406	Electronic Service	No	OFF_SL_16-521_Official Service List PUC
David	Moeller	dmoeller@allete.com	Minnesota Power	30 W Superior St Duluth, MN 558022093	Electronic Service	No	OFF_SL_16-521_Official Service List PUC
Dalene	Monsebroten	dalene@mncable.net	Northern Municipal Power Agency	123 2nd St W Thief River Falls, MN 56701	Electronic Service	No	OFF_SL_16-521_Official Service List PUC
Michael	Monsrud	mmonsrud@itasca- mantrap.com	Itasca-Mantrap Coop. Electric Assn.	PO Box 192 Park Rapids, MN 56470	Electronic Service	No	OFF_SL_16-521_Official Service List PUC
Andrew	Moratzka	andrew.moratzka@stoel.co m	Stoel Rives LLP	33 South Sixth St Ste 4200 Minneapolis, MN 55402	Electronic Service	No	OFF_SL_16-521_Official Service List PUC
Martin	Morud	mmorud@trunorthsolar.co m	Tru North Solar	5115 45th Ave S Minneapolis, MN 55417	Electronic Service	No	OFF_SL_16-521_Official Service List PUC
Michael	Murtaugh	mmurtaugh@fmcs.coop	Freeborn-Mower Cooperative Services	2501 Main Street East Albert Lea, MN 56007	Electronic Service	No	OFF_SL_16-521_Official Service List PUC
Tony	Nelson	tnelson@itasca- mantrap.com	Itasca-Mantrap Coop. Electric Assn.	PO Box 192 Park Rapids, MN 56470	Electronic Service	No	OFF_SL_16-521_Official Service List PUC
Ben	Nelson	benn@cmpasgroup.org	CMMPA	459 South Grove Street Blue Earth, MN 56013	Electronic Service	No	OFF_SL_16-521_Official Service List PUC
David	Niles	david.niles@avantenergy.c om	Minnesota Municipal Power Agency	220 South Sixth Street Suite 1300 Minneapolis, Minnesota 55402	Electronic Service	No	OFF_SL_16-521_Official Service List PUC



First Name	Last Name	Email	Company Name	Address	Delivery Method	View Trade Secret	Service List Name
Will	Nissen	nissen@fresh-energy.org	Fresh Energy	408 St. Peter Street Ste 220  Saint Paul, MN 55102	Electronic Service	No	OFF_SL_16-521_Official Service List PUC
Michael	Noble	noble@fresh-energy.org	Fresh Energy	Hamm Bldg., Suite 220 408 St. Peter Street St. Paul, MN 55102	Electronic Service	No	OFF_SL_16-521_Official Service List PUC
Rolf	Nordstrom	rnordstrom@gpsid.net	Great Plains Institute	2801 21ST AVE S STE 220  Minneapolis, MN 55407-1229	Electronic Service	No	OFF_SL_16-521_Official Service List PUC
Samantha	Norris	samanthanorris@alliantenergy.com	Interstate Power and Light Company	200 1st Street SE PO Box 351  Cedar Rapids, IA 524060351	Electronic Service	No	OFF_SL_16-521_Official Service List PUC
Timothy	O'Leary	toleary@llec.coop	Lyon-Lincoln Electric Cooperative, Inc	P.O. Box 639  Tyler, MN 561780639	Electronic Service	No	OFF_SL_16-521_Official Service List PUC
Jeff	O'Neill	jeff.oneill@ci.monticello.mn.us	City of Monticello	505 Walnut Street Suite 1 Monticello, Minnesota 55362	Electronic Service	No	OFF_SL_16-521_Official Service List PUC
Wendi	Olson	wolson@otpc.com	Otter Tail Power Company	215 South Cascade  Fergus Falls, MN 56537	Electronic Service	No	OFF_SL_16-521_Official Service List PUC
Russell	Olson	rolson@hcpd.com	Heartland Consumers Power District	PO Box 248  Madison, SD 570420248	Electronic Service	No	OFF_SL_16-521_Official Service List PUC
Bethany	Owen	bowen@mnpower.com	Minnesota Power	30 West Superior Street  Duluth, MN 55802	Electronic Service	No	OFF_SL_16-521_Official Service List PUC

First Name	Last Name	Email	Company Name	Address	Delivery Method	View Trade Secret	Service List Name
Dan	Patry	dpatry@sunedison.com	SunEdison	600 Clipper Drive  Belmont, CA 94002	Electronic Service	No	OFF_SL_16-521_Official Service List PUC
Jeffrey C	Paulson	jeff.jcplaw@comcast.net	Paulson Law Office, Ltd.	4445 W 77th Street Suite 224 Edina, MN 55435	Electronic Service	No	OFF_SL_16-521_Official Service List PUC
Dean	Pawlowski	dpawlowski@otpc.com	Otter Tail Power Company	PO Box 496 215 S. Cascade St. Fergus Falls, MN 565370496	Electronic Service	No	OFF_SL_16-521_Official Service List PUC
Elizabeth Toba	Pearlman	epearlman@solarcity.com	Energy Freedom Coalition	3055 Clearview Way  San Mateo, CA 94402	Paper Service	No	OFF_SL_16-521_Official Service List PUC
Susan	Peirce	Susan.Peirce@state.mn.us	Department of Commerce	85 Seventh Place East  St. Paul, MN 55101	Electronic Service	No	OFF_SL_16-521_Official Service List PUC
Joyce	Peppin	joyce@mrea.org	Minnesota Rural Electric Association	11640 73rd Ave N  Maple Grove, MN 55369	Electronic Service	No	OFF_SL_16-521_Official Service List PUC
Mary Beth	Peranteau	mperanteau@wheelerlaw.com	Wheeler Van Sickle & Anderson SC	44 E. Mifflin Street, 10th Floor  Madison, WI 53703	Electronic Service	No	OFF_SL_16-521_Official Service List PUC
Jeff M	Peters	jeff.peters@mrenergy.com	Missouri River Energy Services	3724 W Avera Dr PO Box 88920 Sioux Falls, MN 57109-8920	Electronic Service	No	OFF_SL_16-521_Official Service List PUC
Donna	Pickard	dpickardgsss@gmail.com	Genie Solar Support Services	1215 Lilac Lane  Excelsior, MN 55331	Electronic Service	No	OFF_SL_16-521_Official Service List PUC
Mike	Pontius	mpontius@mnpower.com	Minnesota Power	30 W Superior St  Duluth, MN 55802-2093	Electronic Service	No	OFF_SL_16-521_Official Service List PUC

First Name	Last Name	Email	Company Name	Address	Delivery Method	View Trade Secret	Service List Name
David G.	Prazak	dprazak@otpc.com	Otter Tail Power Company	P.O. Box 496 215 South Cascade Street Fergus Falls, MN 565380496	Electronic Service	No	OFF_SL_16-521_Official Service List PUC
Gayle	Prest	gayle.prest@minneapolismn.gov	City of Mpls Sustainability	350 South 5th St, #315  Minneapolis, MN 55415	Electronic Service	No	OFF_SL_16-521_Official Service List PUC
Gregory	Randa	granda@lakecountrypower.com	Lake Country Power	2810 Elida Drive  Grand Rapids, MN 55744	Electronic Service	No	OFF_SL_16-521_Official Service List PUC
Mark	Rathbun	mrathbun@greenergy.com	Great River Energy	12300 Elm Creek Blvd  Maple Grove, MN 55369	Electronic Service	No	OFF_SL_16-521_Official Service List PUC
Michael	Reinertson	michael.reinertson@avantenergy.com	Avant Energy	220 S. Sixth St. Ste 1300  Minneapolis, Minnesota 55402	Electronic Service	No	OFF_SL_16-521_Official Service List PUC
John C.	Reinhardt		Laura A. Reinhardt	3552 26Th Avenue South  Minneapolis, MN 55406	Paper Service	No	OFF_SL_16-521_Official Service List PUC
Kevin	Reuther	kreuther@mncenter.org	MN Center for Environmental Advocacy	26 E Exchange St, Ste 206  St. Paul, MN 551011667	Electronic Service	No	OFF_SL_16-521_Official Service List PUC
Darla	Ruschen	d.ruschen@bcrea.coop	Brown County Rural Electric Assn.	PO Box 529 24386 State Highway 4 Sleepy Eye, MN 56085	Electronic Service	No	OFF_SL_16-521_Official Service List PUC
Robert K.	Sahr	bsahr@eastriver.coop	East River Electric Power Cooperative	P.O. Box 227  Madison, SD 57042	Electronic Service	No	OFF_SL_16-521_Official Service List PUC
Richard	Savelkoul	rsavelkoul@martinsquires.com	Martin & Squires, P.A.	332 Minnesota Street Ste W2750  St. Paul, MN 55101	Electronic Service	No	OFF_SL_16-521_Official Service List PUC

First Name	Last Name	Email	Company Name	Address	Delivery Method	View Trade Secret	Service List Name
Larry L.	Schedin	Larry@LLSResources.com	LLS Resources, LLC	332 Minnesota St, Ste W1390  St. Paul, MN 55101	Electronic Service	No	OFF_SL_16-521_Official Service List PUC
Kenric	Scheevel	kjs@dairynet.com	Dairyland Power Cooperative	3200 East Avenue South PO Box 817 La Crosse, Wisconsin 54602	Electronic Service	No	OFF_SL_16-521_Official Service List PUC
Jacob J.	Schlesinger	jschlesinger@kfwlaw.com	Keyes & Fox LLP	1580 Lincoln St., Suite 880  Denver, CO 80203	Electronic Service	No	OFF_SL_16-521_Official Service List PUC
Jeff	Schoenecker	jschoenecker@dakotaelectric.com	Dakota Electric Association	4300 220th Street W  Farmington, MN 55024	Electronic Service	No	OFF_SL_16-521_Official Service List PUC
Christopher	Schoenherr	cp.schoenherr@smmpa.org	SMMPA	500 First Ave SW  Rochester, MN 55902-3303	Electronic Service	No	OFF_SL_16-521_Official Service List PUC
Kay	Schraeder	kschraeder@minnkota.com	Minnkota Power	5301 32nd Ave S  Grand Forks, ND 58201	Electronic Service	No	OFF_SL_16-521_Official Service List PUC
Ronald J.	Schwartau	rschwartau@noblesce.com	Nobles Cooperative Electric	22636 U.S. Hwy. 59  Worthington, MN 56187	Electronic Service	No	OFF_SL_16-521_Official Service List PUC
Rob	Scott Hovland	rob.scott-hovland@mrenergy.com	Missouri River Energy Services	3724 W Avera Dr PO Box 88920 Sioux Falls, SD 571098920	Electronic Service	No	OFF_SL_16-521_Official Service List PUC
Dean	Sedgwick	N/A	Itasca Power Company	PO Box 43  Spring Lake, MN 56680	Paper Service	No	OFF_SL_16-521_Official Service List PUC
David	Shaffer	shaff081@gmail.com	Minnesota Solar Energy Industries Project	1005 Fairmount Ave  Saint Paul, MN 55105	Electronic Service	No	OFF_SL_16-521_Official Service List PUC

First Name	Last Name	Email	Company Name	Address	Delivery Method	View Trade Secret	Service List Name
Doug	Shoemaker	dougs@mnRenewables.org	Minnesota Renewable Energy	2928 5th Ave S Minneapolis, MN 55408	Electronic Service	No	OFF_SL_16-521_Official Service List PUC
Mrg	Simon	mrgsimon@mrenergy.com	Missouri River Energy Services	3724 W. Avera Drive P.O. Box 88920 Sioux Falls, SD 571098920	Electronic Service	No	OFF_SL_16-521_Official Service List PUC
Esther	Simon	esimon@itasca-mantrap.com	Itasca-Mantrap Cooperative	PO Box 192 Park Rapids, MN 56470	Electronic Service	No	OFF_SL_16-521_Official Service List PUC
Felicia	Skaggs	fskaggs@meeker.coop	Meeker Cooperative Light & Power	1725 US Highway 12 E Suite 100 Litchfield, MN 55355	Electronic Service	No	OFF_SL_16-521_Official Service List PUC
Glen	Skarbakka	glen@s-pllc.com	Skarbakka PLLC	5411 Bartlett Blvd Mound, MN 55364	Electronic Service	No	OFF_SL_16-521_Official Service List PUC
Trevor	Smith	trevor.smith@avantenergy.com	Avant Energy, Inc.	220 South Sixth Street Suite 1300 Minneapolis, Minnesota 55402	Electronic Service	No	OFF_SL_16-521_Official Service List PUC
Rafi	Sohail	rafi.sohail@centerpointenergy.com	CenterPoint Energy	800 LaSalle Avenue P.O. Box 59038 Minneapolis, MN 554590038	Electronic Service	No	OFF_SL_16-521_Official Service List PUC
Beth H.	Soholt	bsoholt@windonthewires.org	Wind on the Wires	570 Asbury Street Suite 201 St. Paul, MN 55104	Electronic Service	No	OFF_SL_16-521_Official Service List PUC
Marcia	Solie	m.solie@bcrea.coop	Brown County Rural Electric Assn.	24386 State Hwy. 4, PO Box 529 Sleepy Eye, Minnesota 56085	Electronic Service	No	OFF_SL_16-521_Official Service List PUC

First Name	Last Name	Email	Company Name	Address	Delivery Method	View Trade Secret	Service List Name
Robyn	Sonstegard	robynnsec@wikel.com	North Star Electric Cooperative, Inc.	PO Box 719 441 State Hwy 172 NW Baudette, MN 56623	Electronic Service	No	OFF_SL_16-521_Official Service List PUC
Sky	Stanfield	stanfield@smwlaw.com	Shute, Mihaly & Weinberger	396 Hayes Street  San Francisco, CA 94102	Electronic Service	No	OFF_SL_16-521_Official Service List PUC
Mike	Steckelberg	msteckelberg@grenergy.com	Great River Energy	12300 Elm Creek Boulevard  Maple Grove, MN 553694718	Electronic Service	No	OFF_SL_16-521_Official Service List PUC
David	Strom	N/A	MN Conservative Energy Forum	235 E 6th St Fifth Floor St. Paul, MN 55101	Paper Service	No	OFF_SL_16-521_Official Service List PUC
Sherry	Swanson	sswanson@noblesce.com	Nobles Cooperative Electric	22636 US Highway 59 PO Box 788 Worthington, MN 56187	Electronic Service	No	OFF_SL_16-521_Official Service List PUC
Eric	Swanson	eswanson@winthrop.com	Winthrop & Weinstine	225 S 6th St Ste 3500 Capella Tower Minneapolis, MN 554024629	Electronic Service	No	OFF_SL_16-521_Official Service List PUC
Thomas P.	Sweeney III	tom.sweeney@easycleanenergy.com	Clean Energy Collective	P O Box 1828  Boulder, CO 80306-1828	Electronic Service	No	OFF_SL_16-521_Official Service List PUC
Lynnette	Sweet	Regulatory.records@xcelenergy.com	Xcel Energy	414 Nicollet Mall FL 7  Minneapolis, MN 554011993	Electronic Service	No	OFF_SL_16-521_Official Service List PUC
Bryant	Tauer	btauer@whe.org	Wright-Hennepin	6800 Electric Dr  Rockford, MN 55373	Electronic Service	No	OFF_SL_16-521_Official Service List PUC
Steve	Thompson	stevet@cmpasgroup.org	Central Minnesota Municipal Power Agency	459 S Grove St  Blue Earth, MN 56013-2629	Electronic Service	No	OFF_SL_16-521_Official Service List PUC

First Name	Last Name	Email	Company Name	Address	Delivery Method	View Trade Secret	Service List Name
Daniel	Tonder	d.tonder@mnpower.com	Minnesota Power	PO Box 60 Little Falls, MN 56345	Electronic Service	No	OFF_SL_16-521_Official Service List PUC
Pat	Treseler	pat.jcplaw@comcast.net	Paulson Law Office LTD	4445 W 77th Street Suite 224 Edina, MN 55435	Electronic Service	No	OFF_SL_16-521_Official Service List PUC
Jeff	Triplett	triplettj@powersystem.org	MREA	10710 Town Square Dr NW St 201  Minneapolis, MN 55449	Electronic Service	No	OFF_SL_16-521_Official Service List PUC
Adam	Tromblay	atromblay@noblesce.com	Nobles Cooperative Electric	22636 US Hwy. 59 P.O. Box 788 Worthington, MN 56187-0788	Electronic Service	No	OFF_SL_16-521_Official Service List PUC
Lise	Trudeau	lise.trudeau@state.mn.us	Department of Commerce	85 7th Place East Suite 500 Saint Paul, MN 55101	Electronic Service	No	OFF_SL_16-521_Official Service List PUC
Craig	Turner	cturner@dakotaelectric.com	Dakota Electric Association	4300 - 220th Street West  Farmington, MN 550249583	Electronic Service	No	OFF_SL_16-521_Official Service List PUC
Alan	Urban	alan.m.urban@xcelenergy.com	Xcel Energy	N/A	Electronic Service	No	OFF_SL_16-521_Official Service List PUC
Sam	Villella	sdvillella@gmail.com		10534 Alamo Street NE  Blaine, MN 55449	Electronic Service	No	OFF_SL_16-521_Official Service List PUC
Sarah	Walinga	swalinga@solarcity.com	Energy Freedom Coalition	3055 Clearview Way  San Mateo, MN 94402	Electronic Service	No	OFF_SL_16-521_Official Service List PUC
Robert	Walsh	bwalsh@mnvalleyrec.com	Minnesota Valley Coop Light and Power	PO Box 248 501 S 1st St Montevideo, MN 56265	Electronic Service	No	OFF_SL_16-521_Official Service List PUC

First Name	Last Name	Email	Company Name	Address	Delivery Method	View Trade Secret	Service List Name
Roger	Warehime	warehimer@owatonnautilities.com	Owatonna Public Utilities	208 South WalnutPO Box 800  Owatonna, MN 55060	Electronic Service	No	OFF_SL_16-521_Official Service List PUC
Jenna	Warmuth	jwarmuth@mnpower.com	Minnesota Power	30 W Superior St  Duluth, MN 55802-2093	Electronic Service	No	OFF_SL_16-521_Official Service List PUC
Elizabeth	Wefel	eawefel@flaherty-hood.com	Flaherty & Hood, P.A.	525 Park St Ste 470  Saint Paul, MN 55103	Electronic Service	No	OFF_SL_16-521_Official Service List PUC
John	Williamson	John.Williamson@state.mn.us	Minnesota Department of Labor and Industry	443 Lafayette Rd N  St. Paul, MN 55155-4341	Electronic Service	No	OFF_SL_16-521_Official Service List PUC
Danielle	Winner	danielle.winner@state.mn.us	Department of Commerce	85 7th Place East Suite 500 Saint Paul, MN 55101	Electronic Service	No	OFF_SL_16-521_Official Service List PUC
Randi	Winter	rwinter@felhaber.com	Felhaber Larson	Felhaber Larson 220 South Sixth Street, Suite 2200 Minneapolis, MN 55402	Electronic Service	No	OFF_SL_16-521_Official Service List PUC
Cam	Winton	cwinton@mnchamber.com	Minnesota Chamber of Commerce	400 Robert Street North Suite 1500 St. Paul, Minnesota 55101	Electronic Service	No	OFF_SL_16-521_Official Service List PUC
Robyn	Woeste	robynwoeste@alliantenergy.com	Interstate Power and Light Company	200 First St SE  Cedar Rapids, IA 52401	Electronic Service	No	OFF_SL_16-521_Official Service List PUC
Terry	Wolf	terry.wolf@mrenergy.com	Missouri River Energy Services	3724 W Avera Dr PO Box Sioux Falls, SD 571098920	Electronic Service	No	OFF_SL_16-521_Official Service List PUC



First Name	Last Name	Email	Company Name	Address	Delivery Method	View Trade Secret	Service List Name
Daniel P	Wolf	dan.wolf@state.mn.us	Public Utilities Commission	121 7th Place East Suite 350 St. Paul, MN 551012147	Electronic Service	Yes	OFF_SL_16-521_Official Service List PUC
Thomas J.	Zaremba	TZaremba@wheelerlaw.com	WHEELER, VAN SICKLE & ANDERSON	44 E. Mifflin Street, 10th Floor  Madison, WI 53703	Electronic Service	No	OFF_SL_16-521_Official Service List PUC